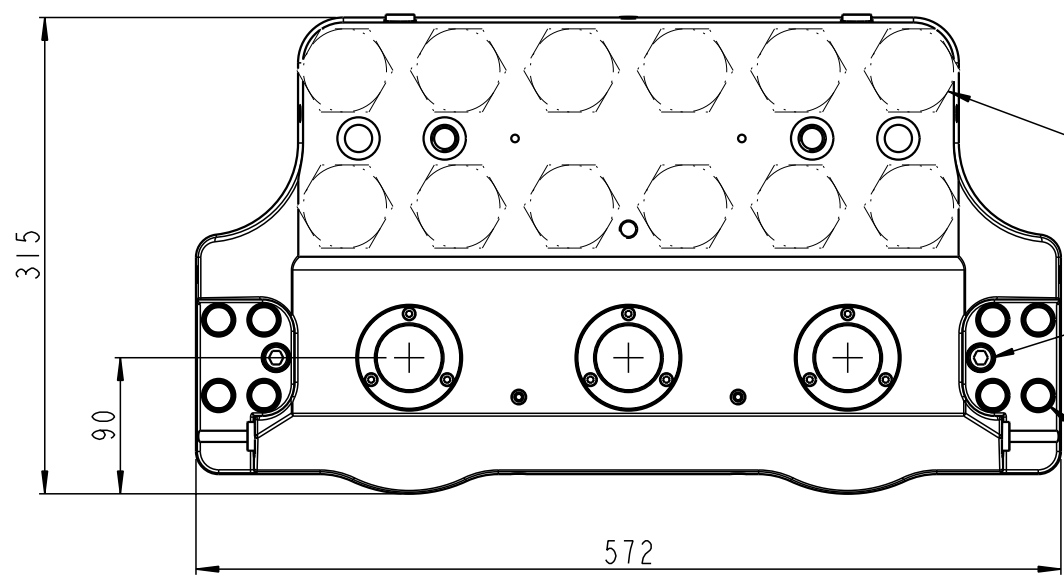


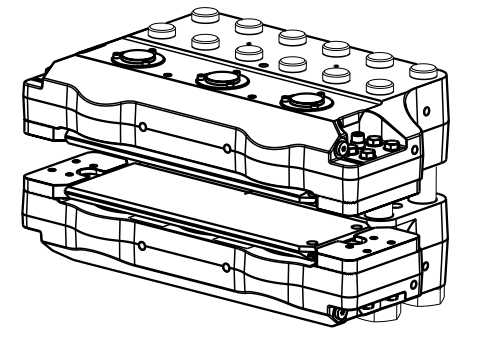
A B C D E F



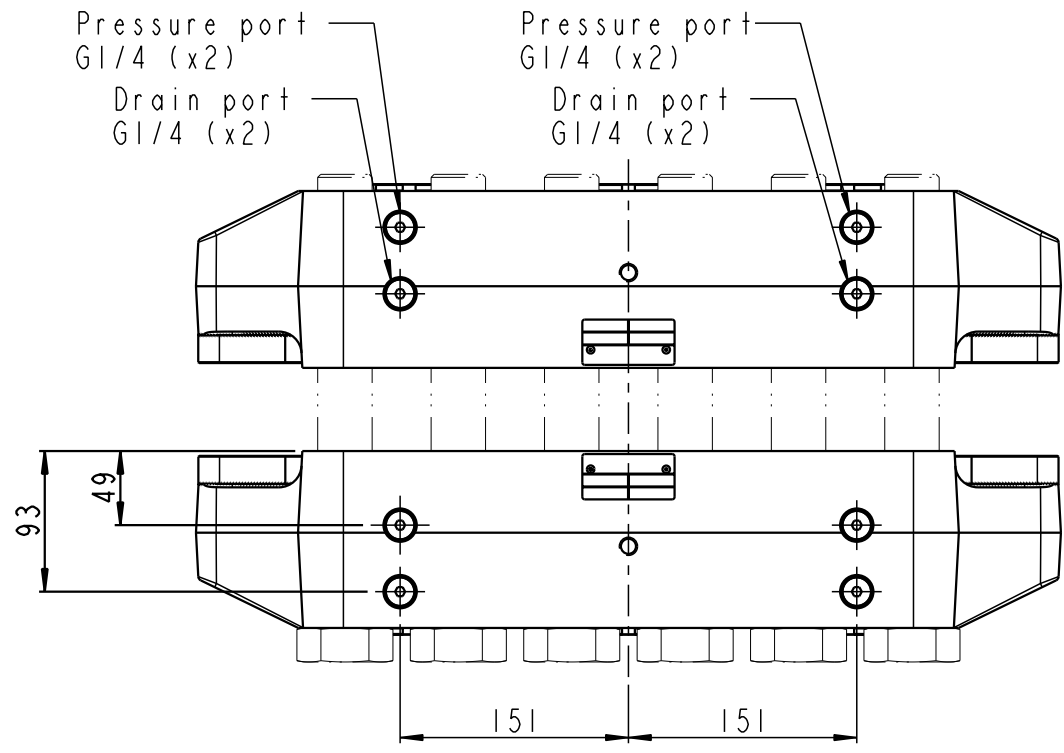
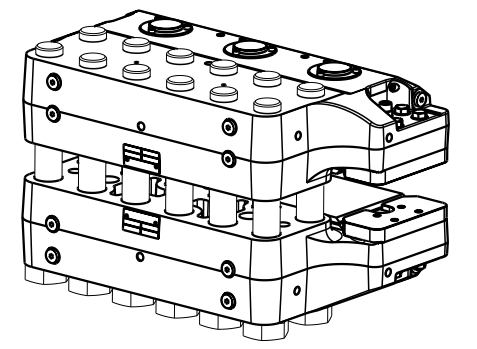
Bolts M36 grade 10.9 (x12)  
 Mv= 2560 ± 150Nm  
 Grased with MoS2  
 (Bolts not included in brake)

Bolts M10 grade A4/70 (x2)  
 Mv= 27 ± 2Nm  
 Dry

Bolts M10 grade 8.8 (x8)  
 Mv= 37 ± 2Nm  
 Grased with MoS2



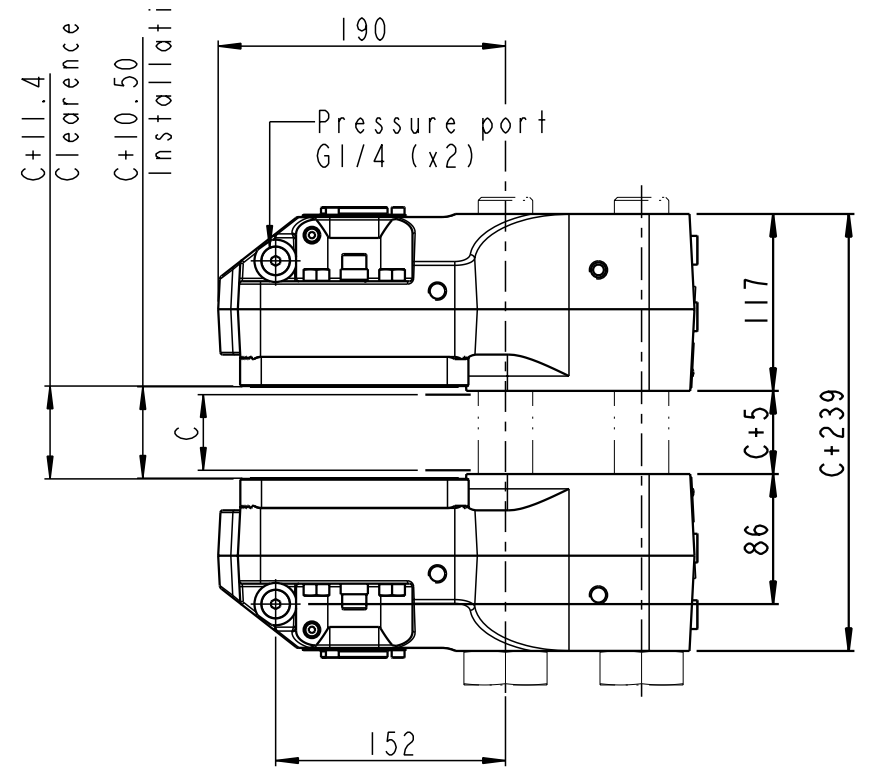
SCALE 1:10



Pressure port  
 G1/4 (x2)  
 Drain port  
 G1/4 (x2)

Pressure port  
 G1/4 (x2)  
 Drain port  
 G1/4 (x2)

$\triangle B$   
 C+11.4  
 Clearance to pad holder.  
 $\triangle A$   
 C+10.50  
 Installation clearance.



C = Brake disc thickness.  
 Weight: 235 kg

TOLERANCES FOR INTERNAL AND EXTERNAL RADII, ANGLES AND CHAMFERS ACCORDING TO: ISO 2768 - mK		ALL DIMENSIONS IN mm	DRAWING STATUS
DRAWN BY ROL DATE 21.10.2015		DESCRIPTION BSAC 120-S-108 COMPL. FULL SPRING RETRACTION SIEMENS	<b>Released</b>
DRAWING NO. 490-6021-801			