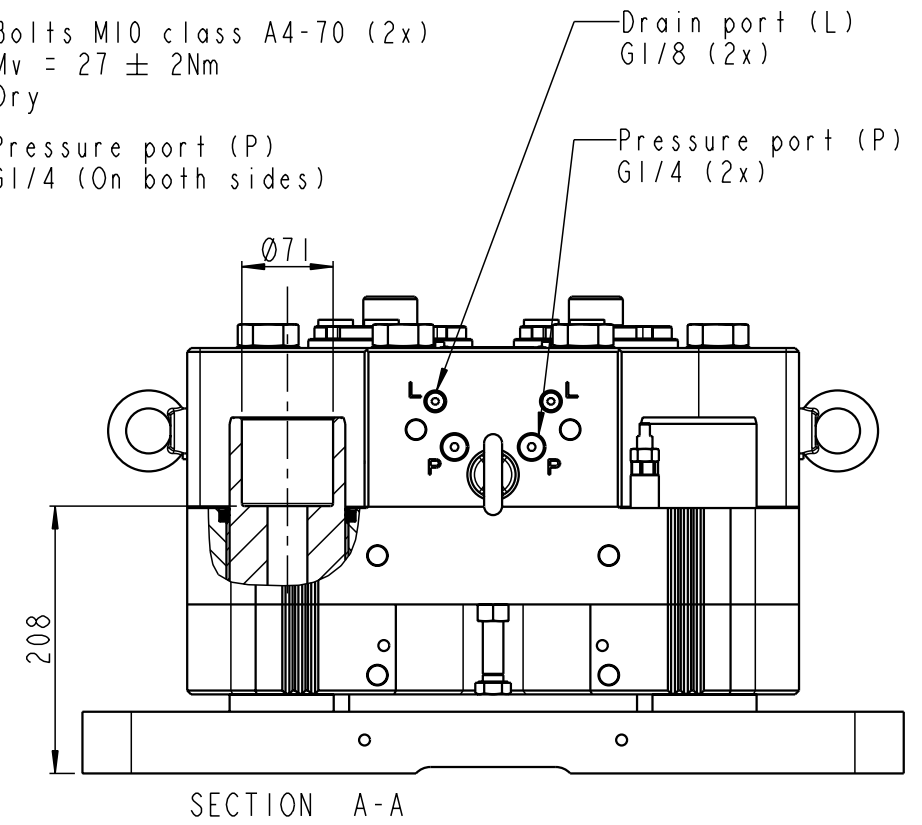
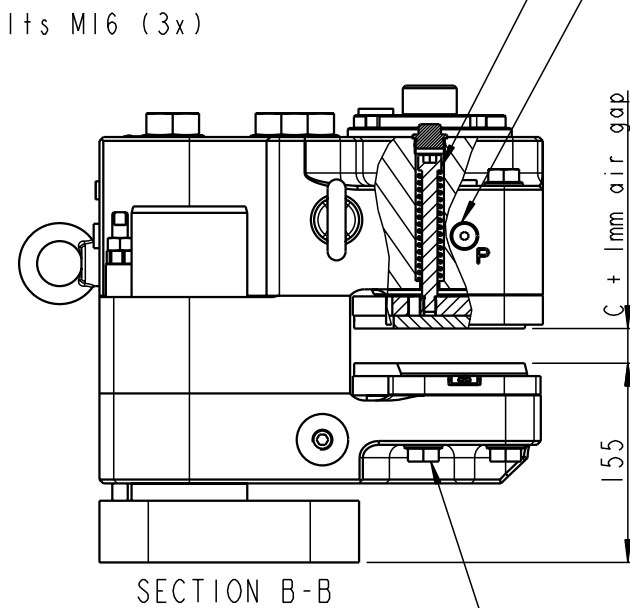
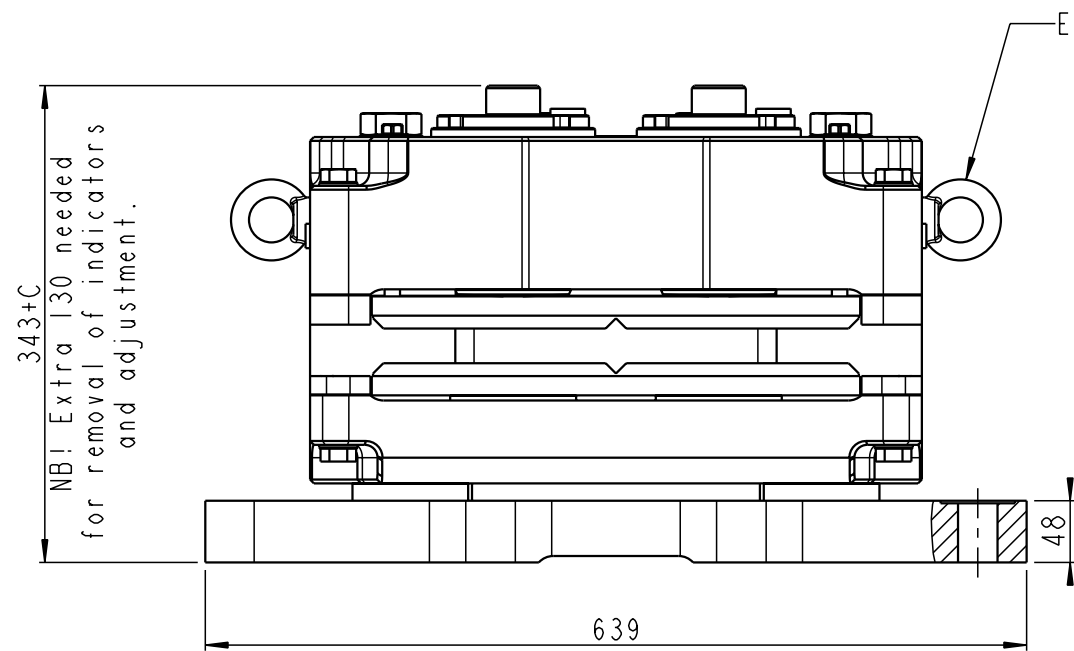
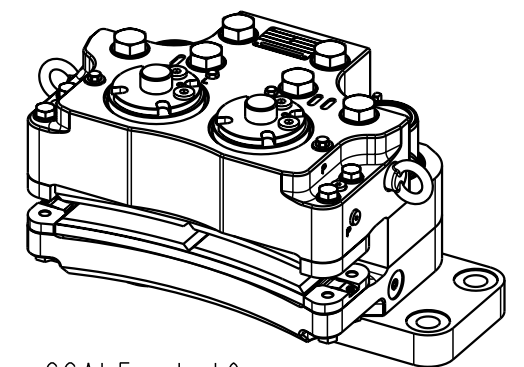
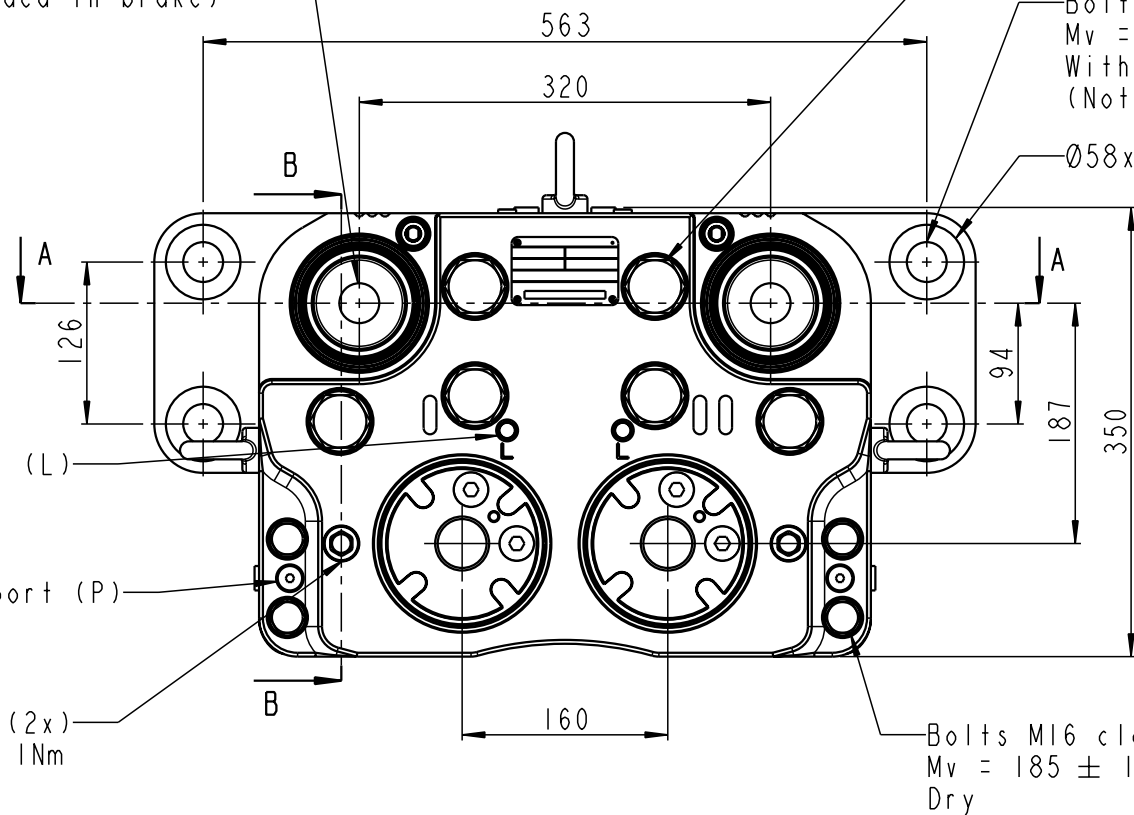


REV. D 97597 RMJ 21-03-2015  
 REV. E 97882 RMJ 04-06-2015  
 REV. F 98078 RMJ 09-09-2015

THIS DRAWING/DOCUMENT REMAINS THE PROPERTY OF SVENDBORG BRAKES AND MUST NOT BE COPIED WITHOUT OUR PRIOR WRITTEN PERMISSION. AND THE CONTENTS THEREOF MUST NOT BE DISCLOSED TO ANY THIRD PARTY. NOR BE USED FOR ANY UNAUTHORIZED PURPOSE. LEGAL ACTION WILL BE TAKEN IN THE EVENT OF CONTRAVENTION.



Bolts M30 class 10.9 (2x)  
 Mv = 1740 ± 50Nm  
 With MoS2  
 (Not included in brake)



SCALE 1:10

Brake can move on shafts:  
 Without positioning system mounted: 10mm upwards and 5mm downwards from nominal mounting dimension (155)  
 With standard positioning system mounted: 1mm upwards and 1/2 air gap downwards from nominal mounting dimension (155)

C = Brake disc thickness (From 26 to 77mm depending on spacer thickness)  
 Mounting data, see drawing: 490-5470  
 Weight: Approx. 230-270 kg incl. brake pads

TOLERANCES FOR INTERNAL AND EXTERNAL RADII, ANGLES AND CHAMFERS ACCORDING TO: ISO 2768 - mK		ALL DIMENSIONS IN mm	DRAWING STATUS
DRAWN BY	ROL	DESCRIPTION BSF1 D300-XXX-MSXXX-101	<b>Released</b>
DATE	08-05-2014		
DRAWING NO.		490-5010	REVISION F
			SCALE 17:100 (A3)
			SHEET 1 OF 1 SHEETS

(L): Drain ports, must not be pressurized.  
 (P): Pressure ports.