

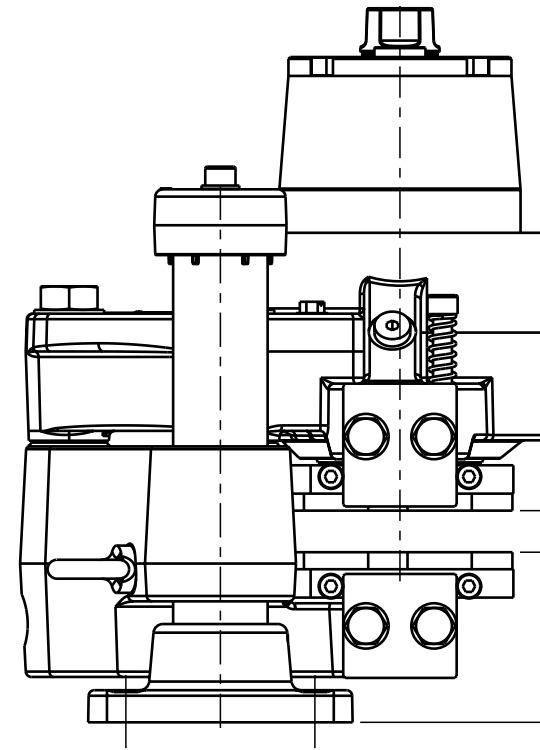
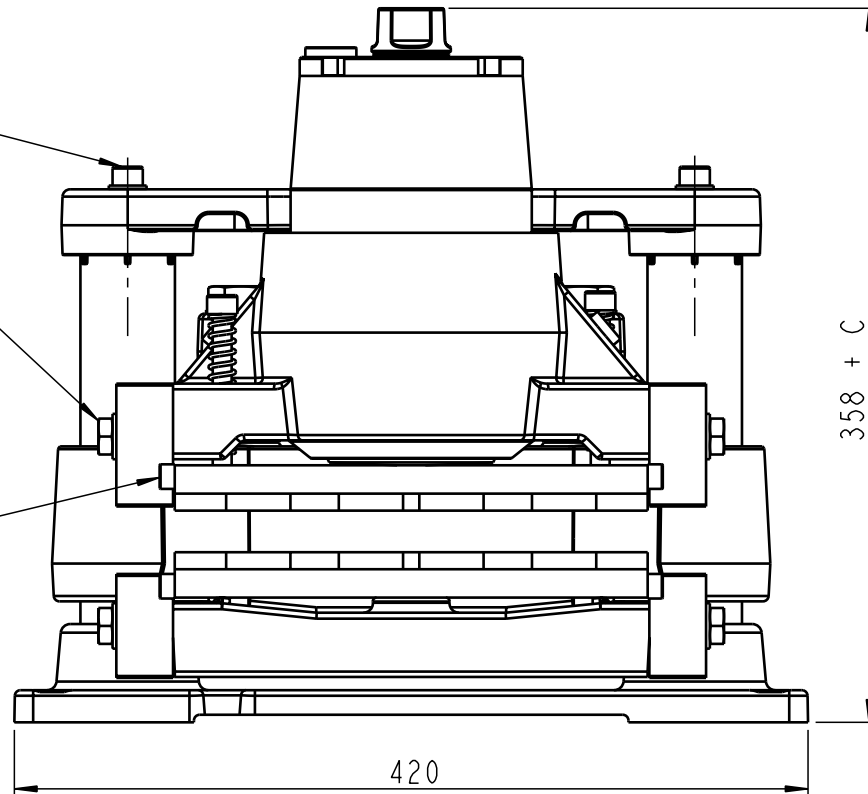
Denmark: Jernbanevej 9, DK-5882 Vejstrup
 Germany: Kirchensrasse 42, D-32257 Bünde
 China: 408-5, No. 1765 Chuan Gao Road, Pudong, 201206 Shanghai
 This drawing / document remains the property of Svendborg Brakes A/S and must not be copied without our prior written permission, and the contents thereof must not be disclosed to any third party, nor be used for any unauthorized purpose. Legal action will be taken in the event of contravention.

Rev.A 91662 RRH 36/00
 Rev.B 92226 ECA 02/23
 Rev.C 92810 RRH 14.03.2005

Bolts M10 Grade 8.8
 Mv=44±6 Nm
 Dry

Bolts M12 Grade 10.9
 Mv=91±8 Nm
 with MoS 2

Bolts M8 Grade 8.8
 Mv=23±2Nm
 Dry

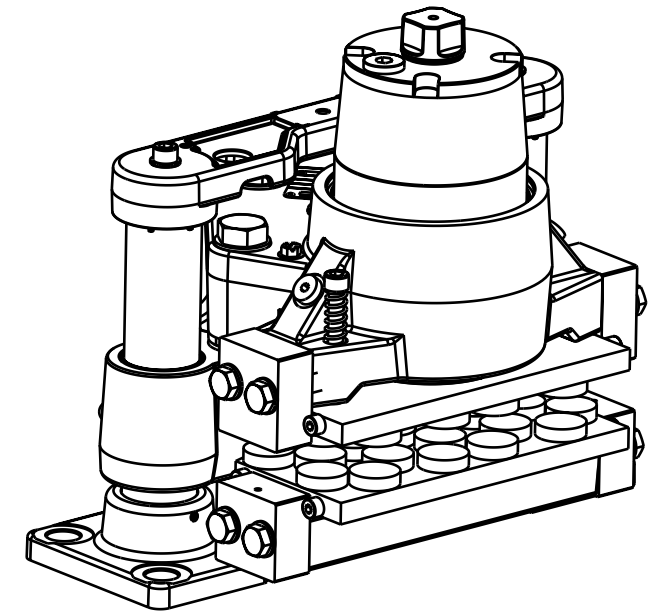
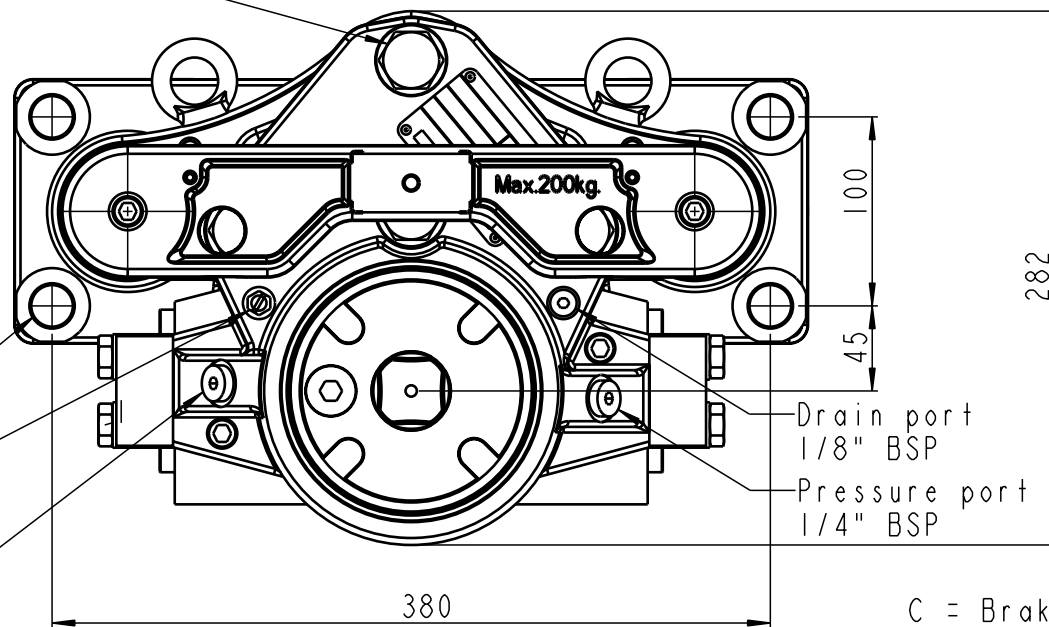


Bolts for brakes smaller than BSF1 350:
 M20 Grade 8.8
 Mv=305±20 Nm
 with MoS2
 Bolts for brakes BSF1 350 and larger:
 M20 Grade 10.9
 Mv=430±20 Nm
 with MoS2

Bolts M20 Grade 8.8 (4x)
 Mv=305 ± 20Nm
 With MoS2
 (Not included in brake)

Drain port
 1/8" BSP

Pressure port
 1/4" BSP



C = Brake disc thickness
 Mounting drawing, see drawing: 490 2334
 Weight: Approx. 85 kg incl. brake pads

Tolerances for corner radii, angles, chamfers and threads according to: DS/EN 22768 - m		✓ Indicates Ra in µm	All dimensions in mm	Accep. for prod. by
Description		BSF1 300-MSXXS-300		Drw+Design checked by
Drawn by RRH				Revision C
Date: 09-Sep-00		Drawing No. 490-1870		Scale 1:4 (A3)
SVENDBORG BRAKES				Sheet 1 of 1 sheets

Svendborg Brakes A/S reserves the right to revise this document without prior notification or obligation

CONFIDENTIAL