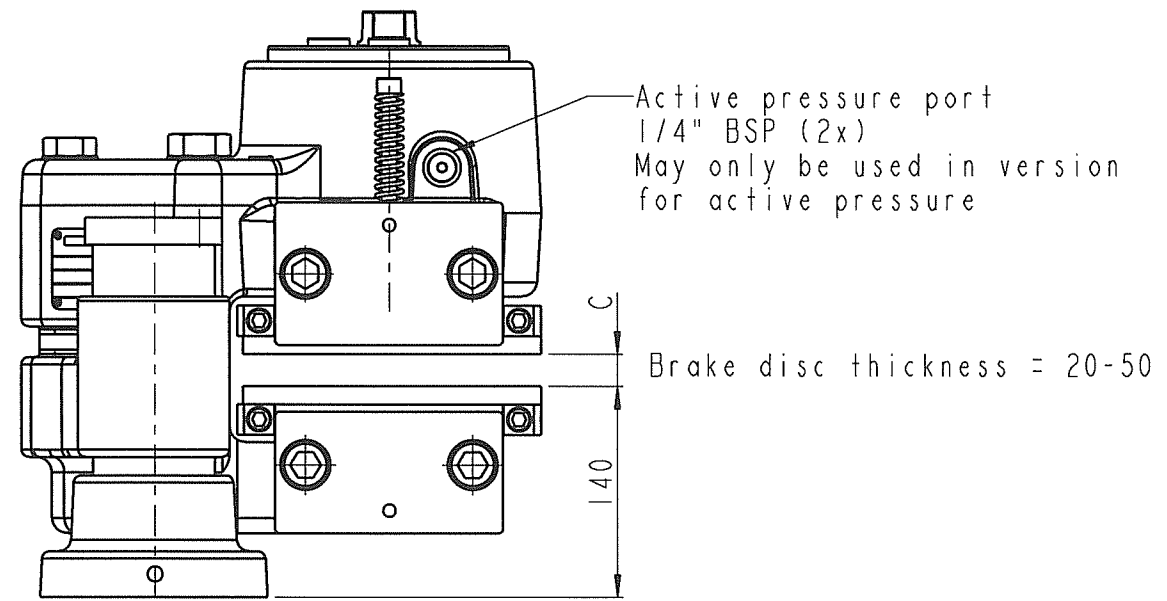
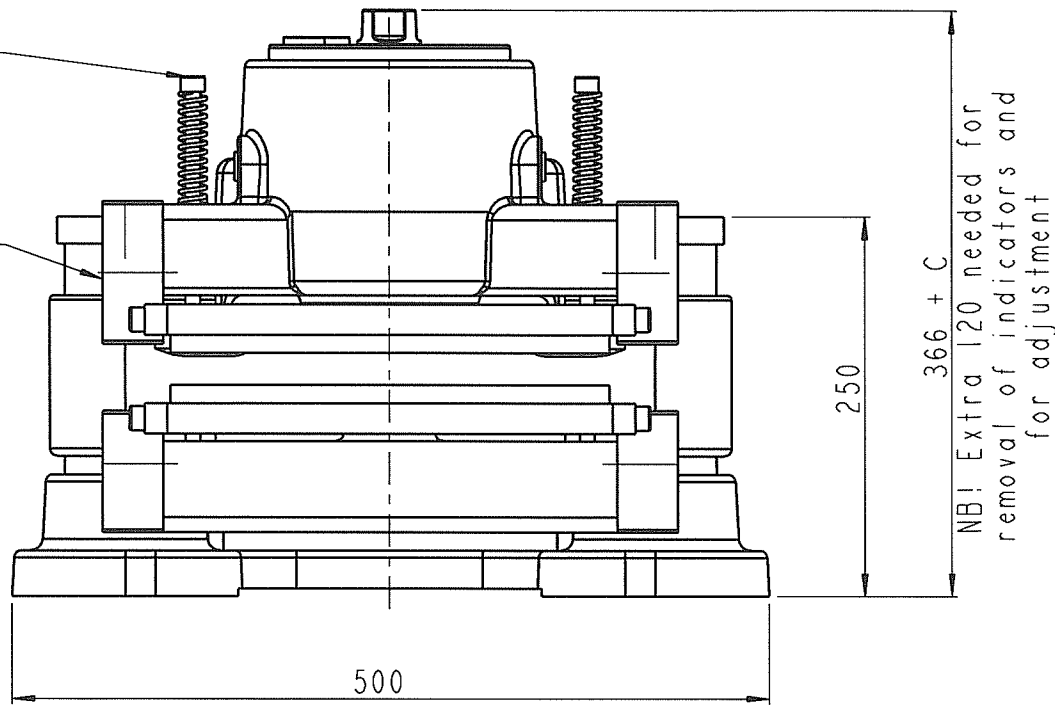


Denmark: Jennbanevej 9, 5882 Vejstrup, Denmark  
Germany: Kirchnerstrasse 42, D-32257 Bünde, Germany

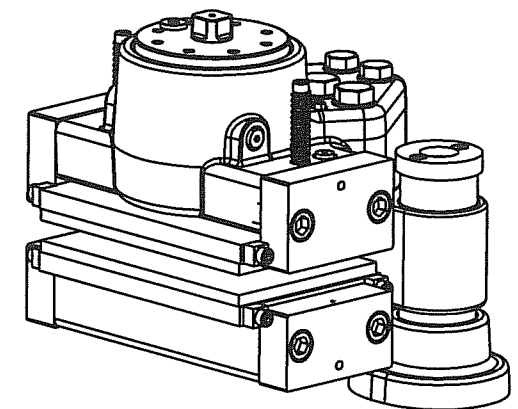
Rev.D 91850 HMU 01/14  
Rev.E 92982 RRH 13.09.2005  
Rev.F 93093 NCH 21.12.2005

Bolts M10 grade 8.8  
Mv = 27 ± 2Nm  
Dry

Bolts M20 grade 8.8  
Mv = 305 ± 20Nm  
With MoS2



Brake disc thickness = 20-50

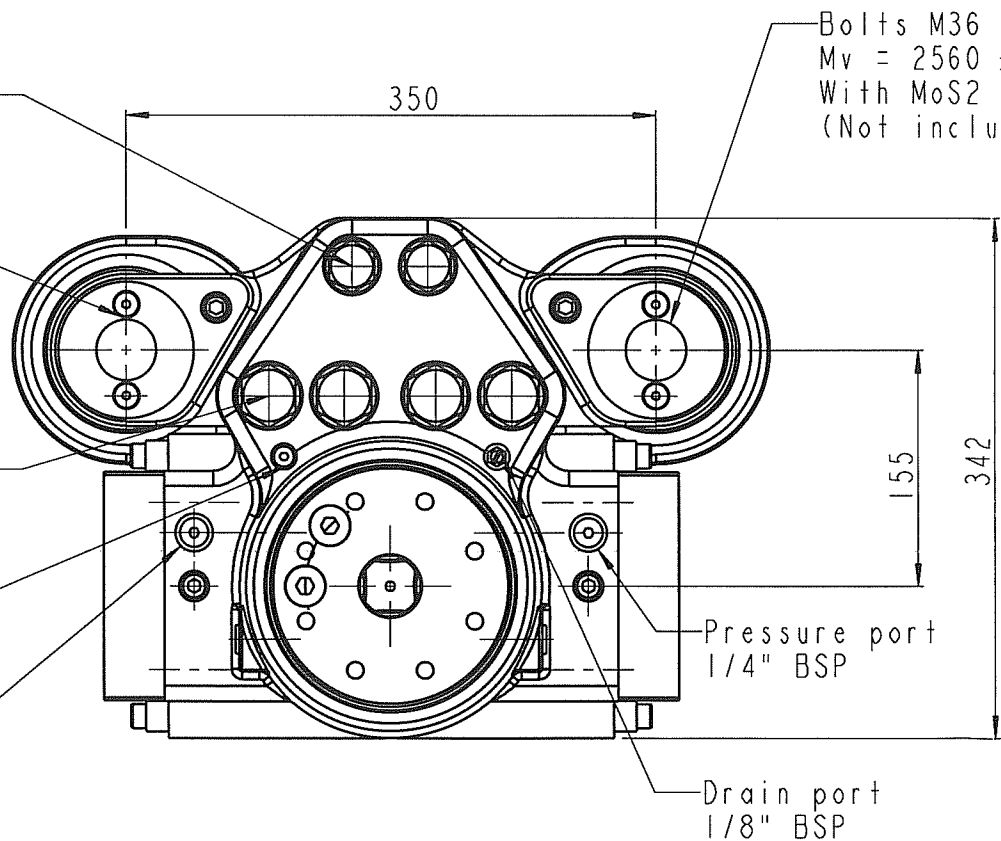


Bolts M20 grade 10.9  
Mv = 430 ± 20Nm  
With MoS2

Bolts M8 grade 8.8  
Mv = 23 ± 2Nm  
Dry

Bolts M24 grade 10.9  
Mv = 740 ± 30Nm  
With MoS2

Bolts M36 grade 10.9 (2x)  
Mv = 2560 ± 40Nm  
With MoS2  
(Not included in brake)



Brake can move on shafts:  
Without positioning system mounted: 10mm upwards and 5mm downwards from nominal mounting dimension (140)  
With standard positioning system mounted: 2mm upwards and 1/2 air gap downwards from nominal mounting dimension (140)

C = Brake disc thickness  
Mounting data, see drawing: 490 1639  
Weight: Approx. 180 kg incl. brake pads

This drawing/document is the sole property of Svendborg Brakes A/S and may not be copied, given to a third party or used for unauthorized purpose

Svendborg Brakes A/S reserves the right to revise this document without prior notification or obligation

Tolerances for corner radii, angles, chamfers and threads according to: DS/EN 22768 - m		✓ Indicates Ra in µm	All dimensions in mm	Accep. for prod. by
Drawn by M.Pallesen	Date: 16-Nov-00	Description		Drw+Design checked by
		BSFI 3000-MSXXS-200		<i>A.A. [Signature]</i>
Drawing No.		4901640		Revision F
Scale 1:5 (A3)		Sheet 1 of 1 sheets		

**CONFIDENTIAL**

CHECKED by SYSTEM  
12-04-2010