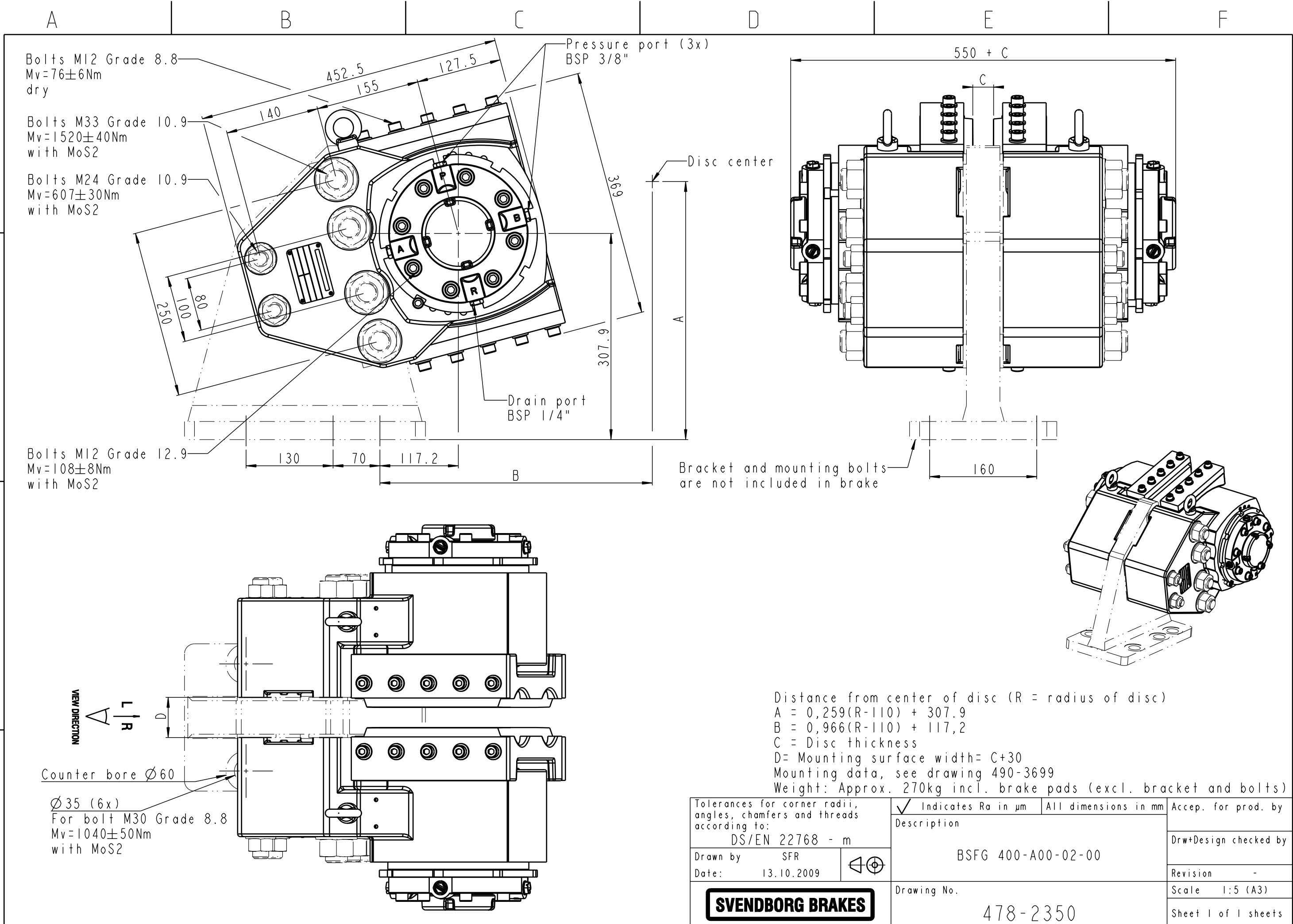


Denmark: Jernbanevej 9, 5882 Vejstrup, Denmark
 Germany: Kirchenstrasse 42, D-32257 Bünde, Germany
 This drawing / document remains the property of Svendborg Brakes A/S and must not be copied without our prior written permission, and the contents thereof must not be disclosed to any third party, nor be used for any unauthorized purpose. Legal action will be taken in the event of contravention.



Tolerances for corner radii, angles, chamfers and threads according to: DS/EN 22768 - m		✓ Indicates Ra in µm	All dimensions in mm	Accep. for prod. by
Description		BSFG 400-A00-02-00		Drw+Design checked by
Drawn by	SFR			Revision
Date:	13.10.2009			Scale 1:5 (A3)
SVENDBORG BRAKES		Drawing No.		Sheet 1 of 1 sheets
		478-2350		

Svendborg Brakes A/S reserves the right to revise this document without prior notification or obligation

CONFIDENTIAL

CHECKED by SYSTEM 12-04-2010 RELEASED by sfr