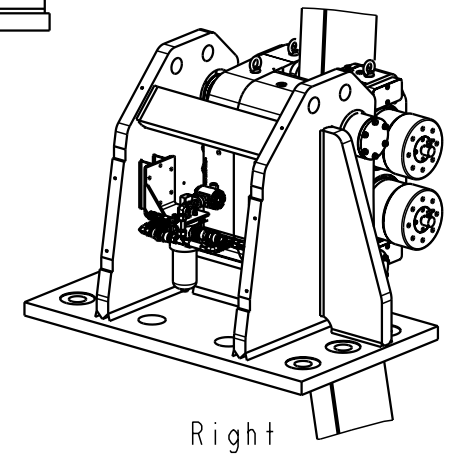
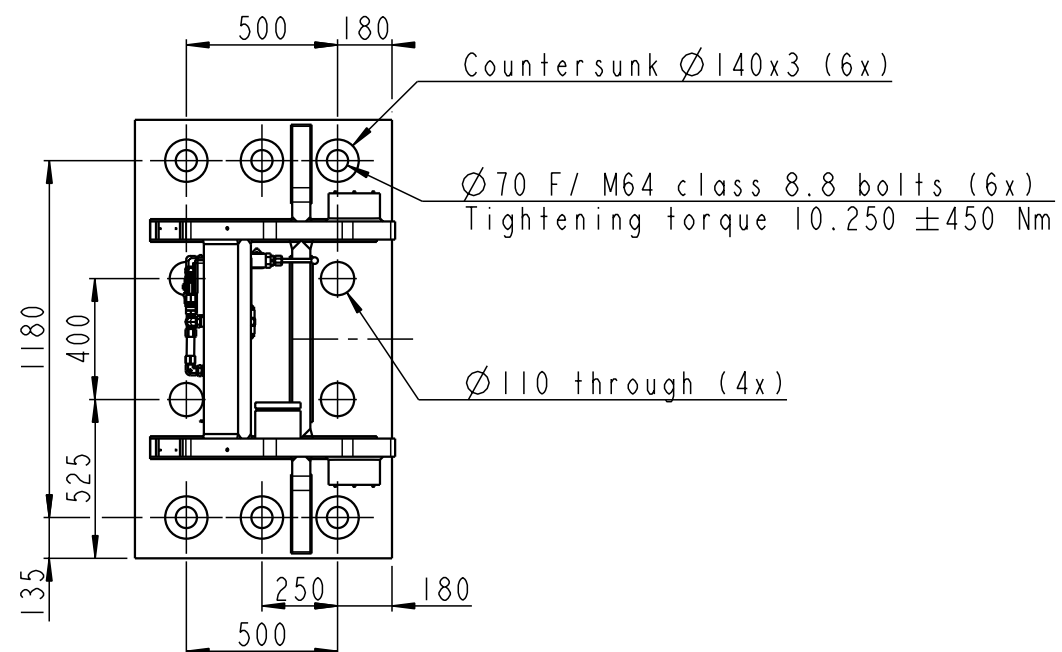
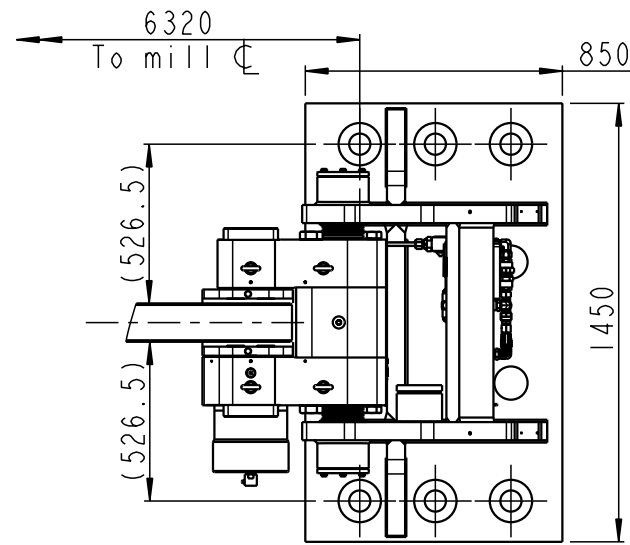
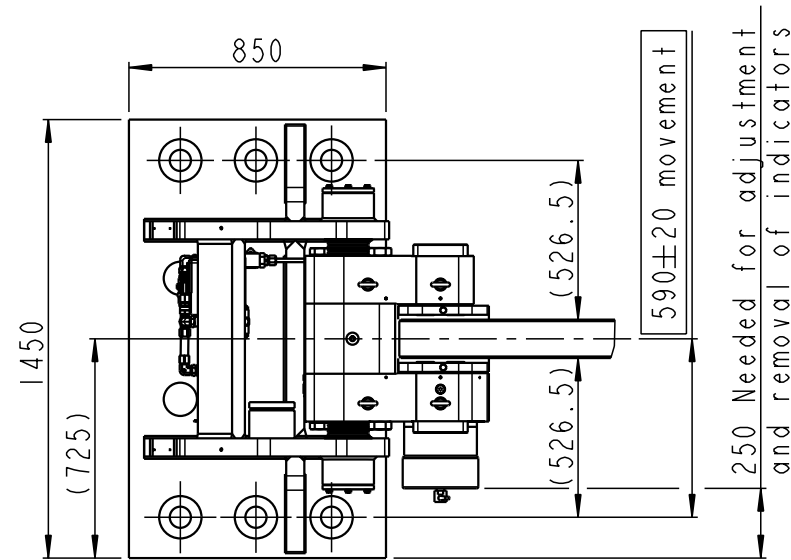
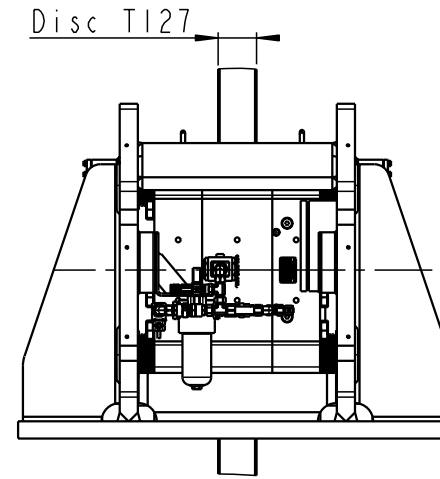
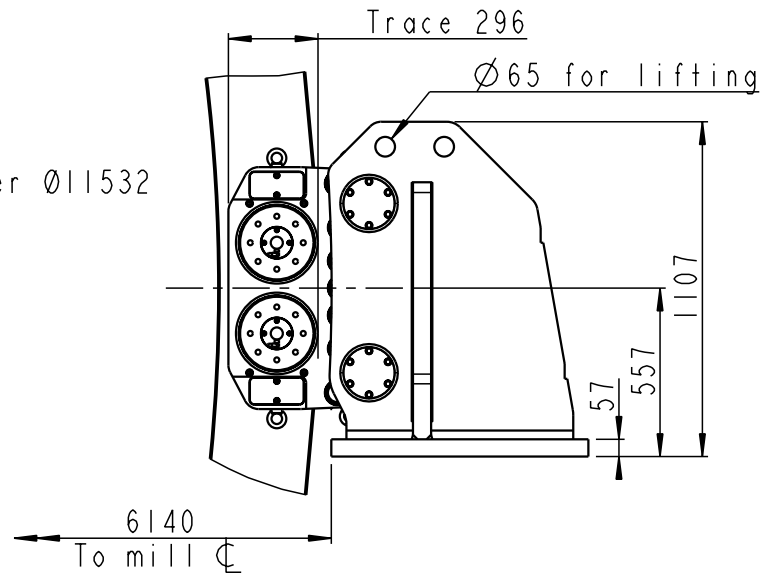
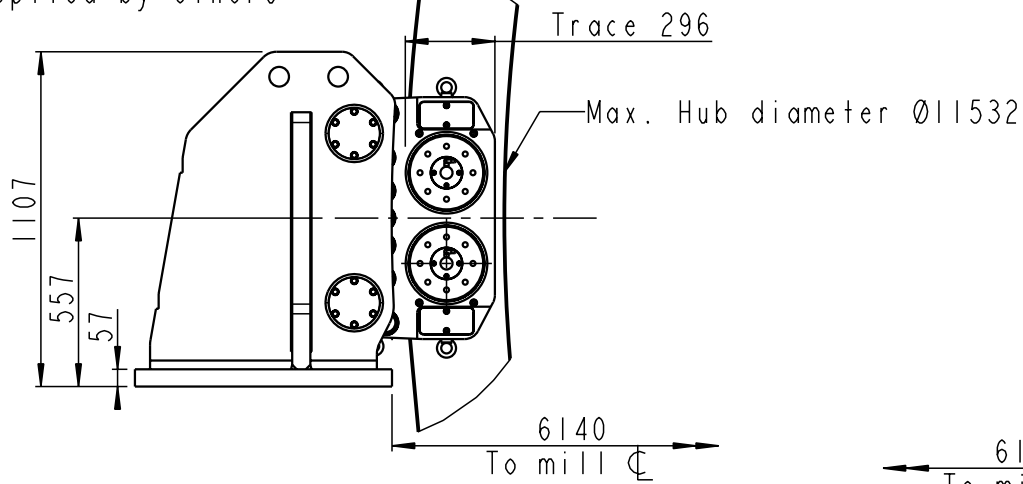
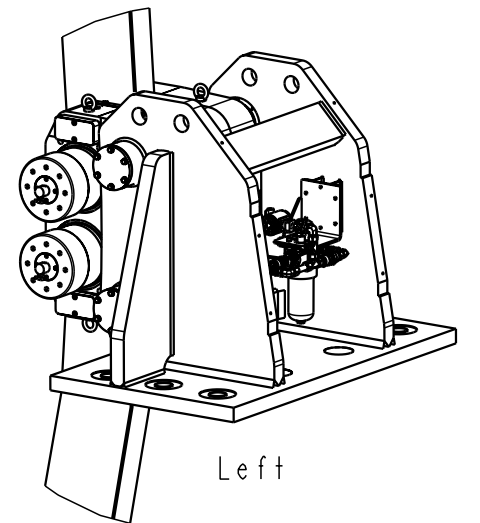


Brake Flange Ø12192
 Supplied by others




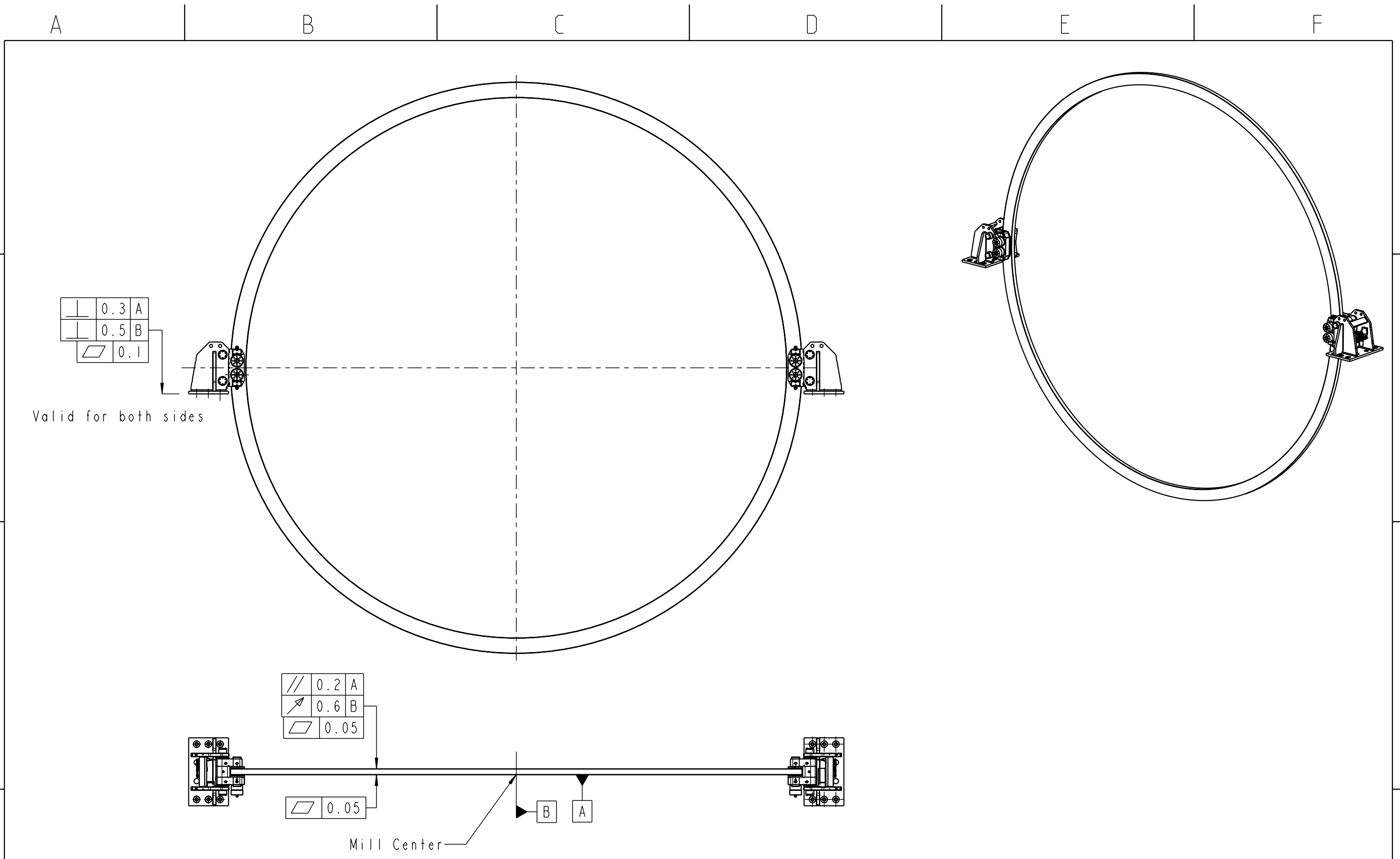
Right



Left

Weight: approx. 2 x 3500 kg
 incl. 2 brackets, 2 brakes, excl. brake flange, hydraulics, pipes etc.

TOLERANCES FOR INTERNAL AND EXTERNAL RADII, ANGLES AND CHAMFERS ACCORDING TO: ISO 2768 - mK		ALL DIMENSIONS IN mm	DRAWING STATUS
DRAWN BY NCH		DESCRIPTION MILL BRAKE SYSTEM IX BSFA1000 / Ø12192 x127MM	Released
DATE 25.10.2015			
		DRAWING NO.	SCALE 1:25 (A3)
		490-6037	SHEET 1 OF 2 SHEETS



	0.3	A
	0.5	B
	0.1	

	0.2	A
	0.6	B
	0.05	

	0.05
--	------

TOLERANCES FOR INTERNAL AND EXTERNAL RADII, ANGLES AND CHAMFERS ACCORDING TO: ISO 2768 - mK		ALL DIMENSIONS IN mm	DRAWING STATUS
DRAWN BY NCH		DESCRIPTION MILL BRAKE SYSTEM 1X BSFA1000 / Ø12192 x127MM	Released
DATE 25.10.2015			
DRAWING NO. 490-6037		REVISION -	SCALE 13:1000 (A3)
		SHEET 2 OF 2 SHEETS	