

SVENDBORG BRAKES, DENMARK
 CVR / VAT: 13256438
 WWW.SVENDBORG-BRAKES.COM
 THIS DRAWING/DRAWING REMAINS THE PROPERTY OF SVENDBORG BRAKES AND MUST NOT BE COPIED WITHOUT OUR PRIOR WRITTEN PERMISSION. AND THE CONTENTS THEREOF MUST NOT BE DISCLOSED TO ANY THIRD PARTY. NOR BE USED FOR ANY UNAUTHORIZED PURPOSE. LEGAL ACTION WILL BE TAKEN IN THE EVENT OF CONTRAVENTION.

REV. J 100916 COT 11.10.2019
 REV. K 101436 SFR 17.09.2020
 REV. L 102880 RMJ 25.08.2023

BOLTS M12 CLASS 10.9
 $M_v = 91 \pm 8 \text{ Nm}$
 WITH MoS2

PRESSURE PORT
 G1/4 (2x)

DRAIN PORT
 G1/8

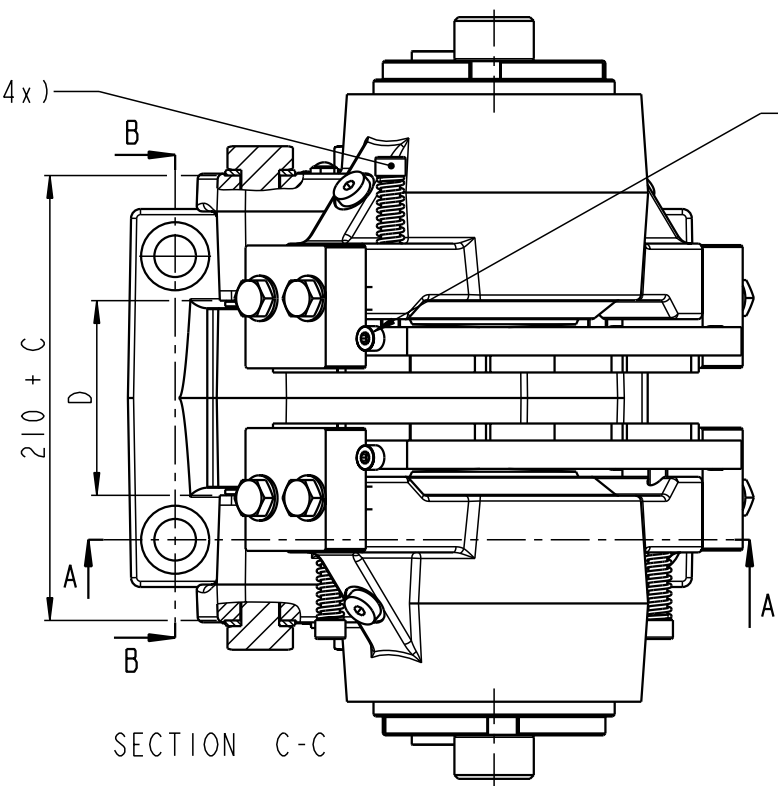
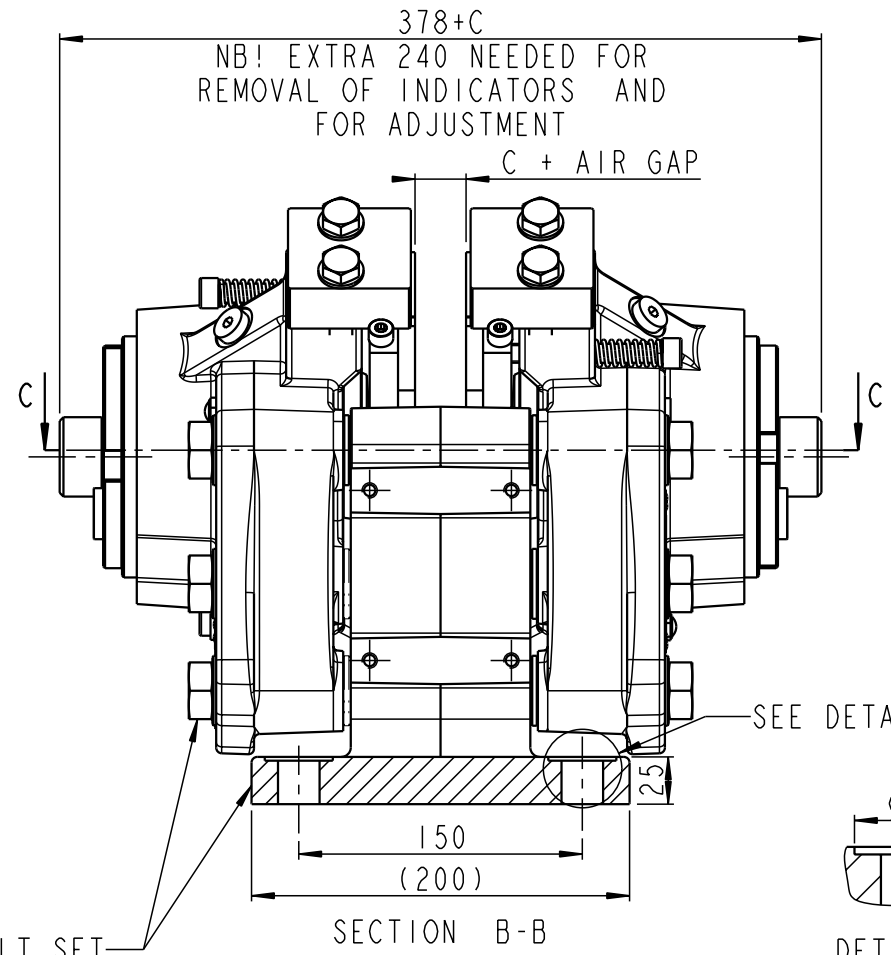
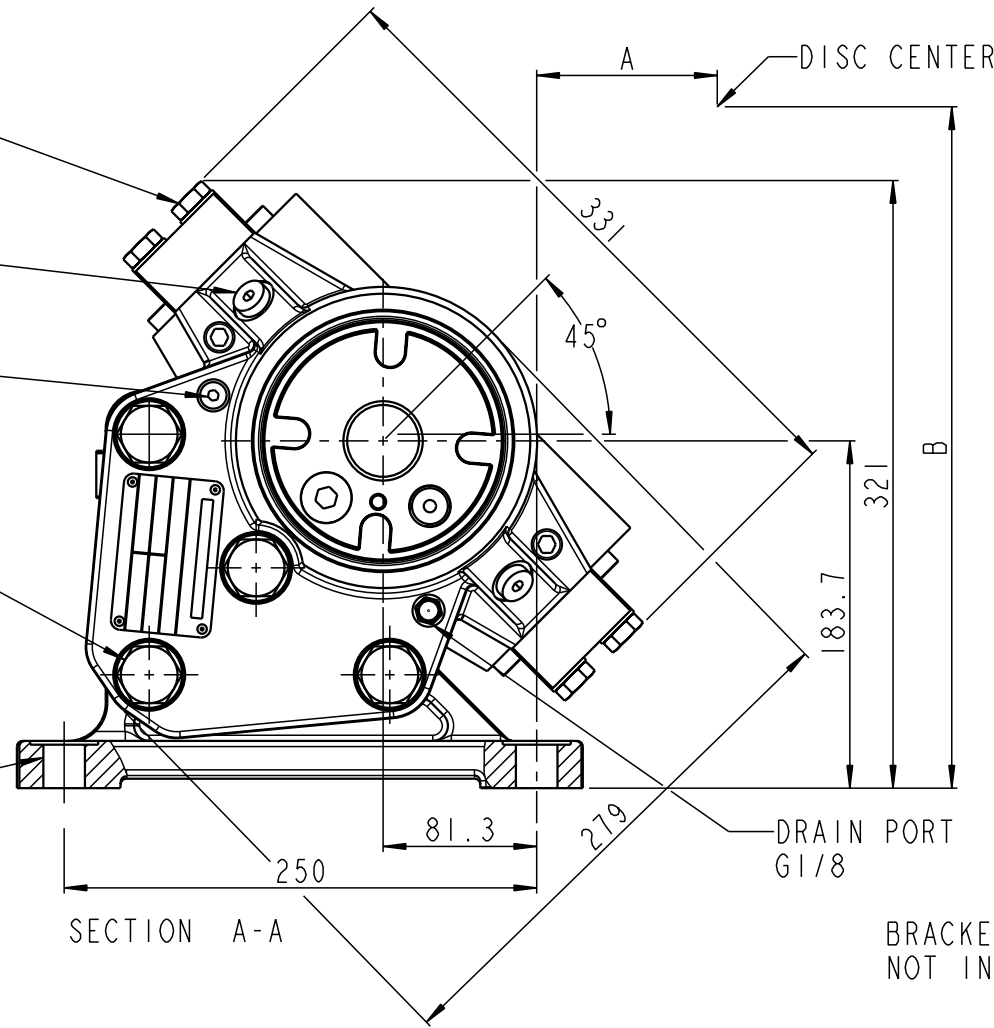
FOR BRAKES UP TO
 AND INCL. BSFI 350:
 BOLTS M20 CLASS 8.8
 $M_v = 305 \pm 20 \text{ Nm}$
 WITH MoS2

FOR BRAKES LARGER
 THAN BSFI 350:
 BOLTS M20 CLASS 10.9
 $M_v = 430 \pm 20 \text{ Nm}$
 WITH MoS2

$\varnothing 22$ (4x)
 FOR BOLTS M20 CLASS 8.8
 $M_v = 305 \pm 20 \text{ Nm}$
 WITH MoS2
 (BOLTS NOT INCLUDED)

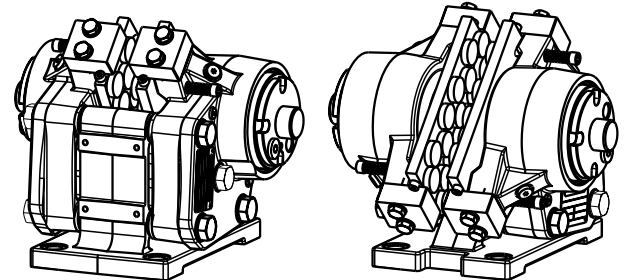
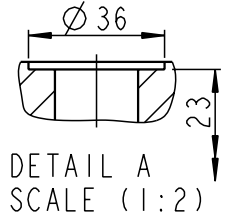
BOLTS M10 CLASS 8.8 / A2 (4x)
 $M_v = 27 \pm 2 \text{ Nm}$
 DRY

BOLTS M8 CLASS 8.8
 $M_v = 23 \pm 2 \text{ Nm}$
 DRY



BRACKET AND BOLT SET NOT INCLUDED IN BRAKE

SEE DETAIL A



DISTANCE FROM CENTER OF BRAKE DISC (R = RADIUS OF BRAKE DISC)
 $A = 0.7071(R-65) - 81.3$
 $B = 0.7071(R-65) + 183.7$
 C = BRAKE DISC THICKNESS
 D = MOUNTING SURFACE WIDTH = C + 77
 BRACKET DIMENSIONS BASED ON STANDARD BRACKET 178-0399-002 (C MIN. = 25MM)
 MOUNTING DRAWING, SEE DRAWING 490-2349
 WEIGHT: APPROX. 85 KG. INCL. BRAKE PADS, BRACKET AND BOLTS.

TOLERANCES FOR INTERNAL AND EXTERNAL RADII, ANGLES AND CHAMFERS ACCORDING TO: ISO 2768 - mK		ALL DIMENSIONS IN mm	DRAWING STATUS
DRAWN BY R.R. HANSEN		DESCRIPTION	Released
DATE 22-06-00		BSFI 300-S-200	
DRAWING NO.		490-2293	REVISION L
SVENDBORG BRAKES A REGAL REXNORD BRAND			SCALE 1:4 (A3)
			SHEET 1 OF 1 SHEETS