

SVENDBORG BRAKES, DENMARK
 CVR / VAT: 13256438
 WWW.SVENDBORG-BRAKES.COM

THIS DRAWING/DOCUMENT REMAINS THE PROPERTY OF SVENDBORG BRAKES AND MUST NOT BE COPIED WITHOUT OUR PRIOR WRITTEN PERMISSION. AND THE CONTENTS THEREOF MUST NOT BE DISCLOSED TO ANY THIRD PARTY. NOR BE USED FOR ANY UNAUTHORIZED PURPOSE. LEGAL ACTION WILL BE TAKEN IN THE EVENT OF CONTRAVENTION.

REV.B 98580 RMJ 30.05.2016
 REV.C 101928 SDE 26.08.2021
 REV.D 102891 SDE 29.08.2023

BOLT M20 CLASS 10.9
 (4X PER CALIPER HALF)
 $M_v = 510 \pm 30\text{Nm}$
 DRY

PRESSURE PORT (P)
 (2X PER CALIPER HALF)
 G3/8

DRAIN PORT (A)
 (2X PER CALIPER HALF)
 G3/8

BOLT M8 CLASS A4
 (2X PER CALIPER HALF)
 $M_v = 17 \pm 1.2\text{Nm}$
 DRY

COVER M27
 (4X PER CALIPER HALF)
 $M_v = 20 \pm 1\text{Nm}$

DRAIN PORT (L)
 (2X PER CALIPER HALF)
 G1/4

BOLT M42 CLASS 10.9 (8X)
 $M_v = 4050 \pm 150\text{Nm}$
 WITH MoS2

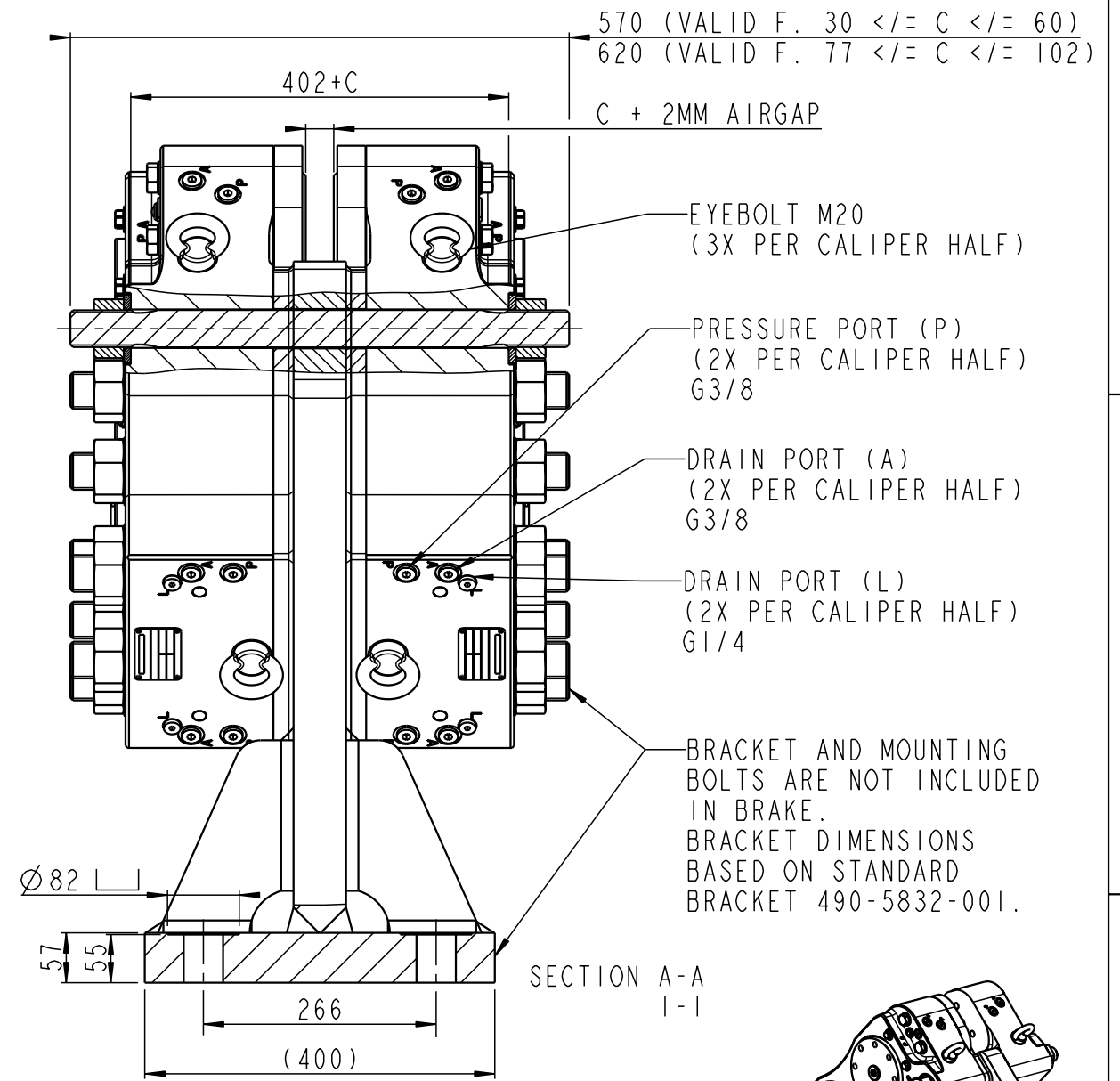
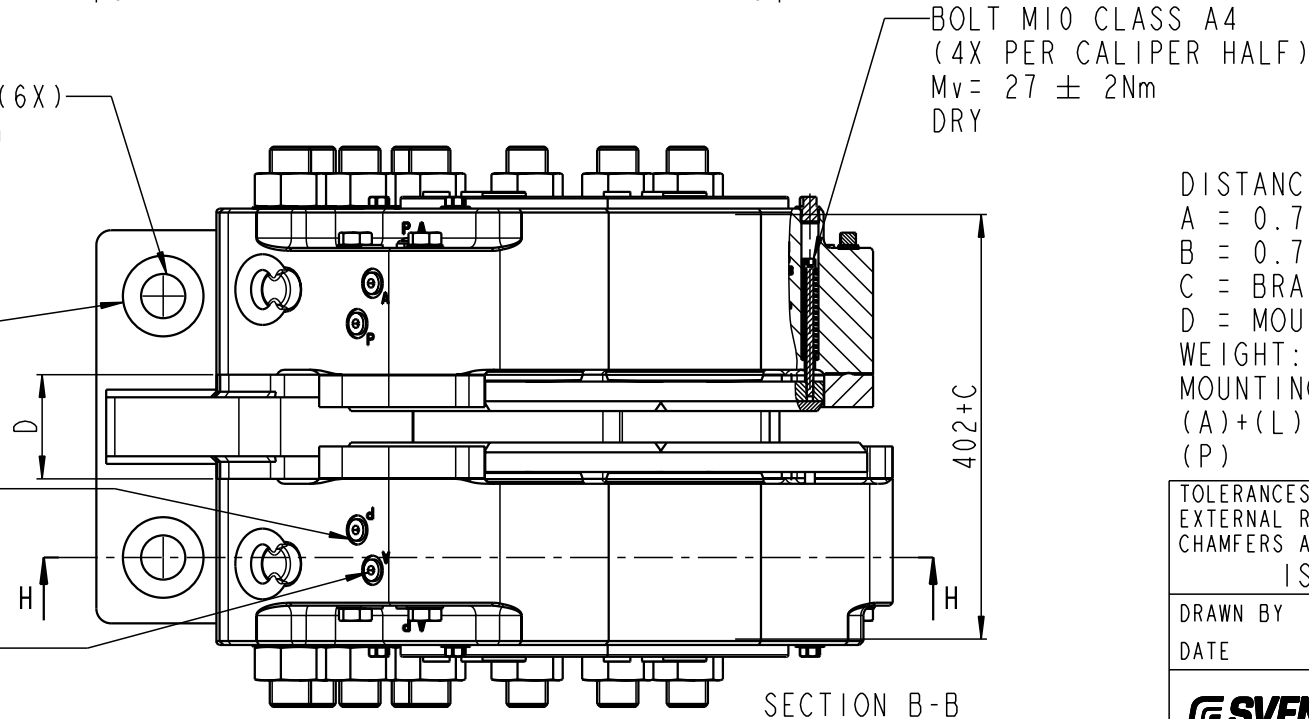
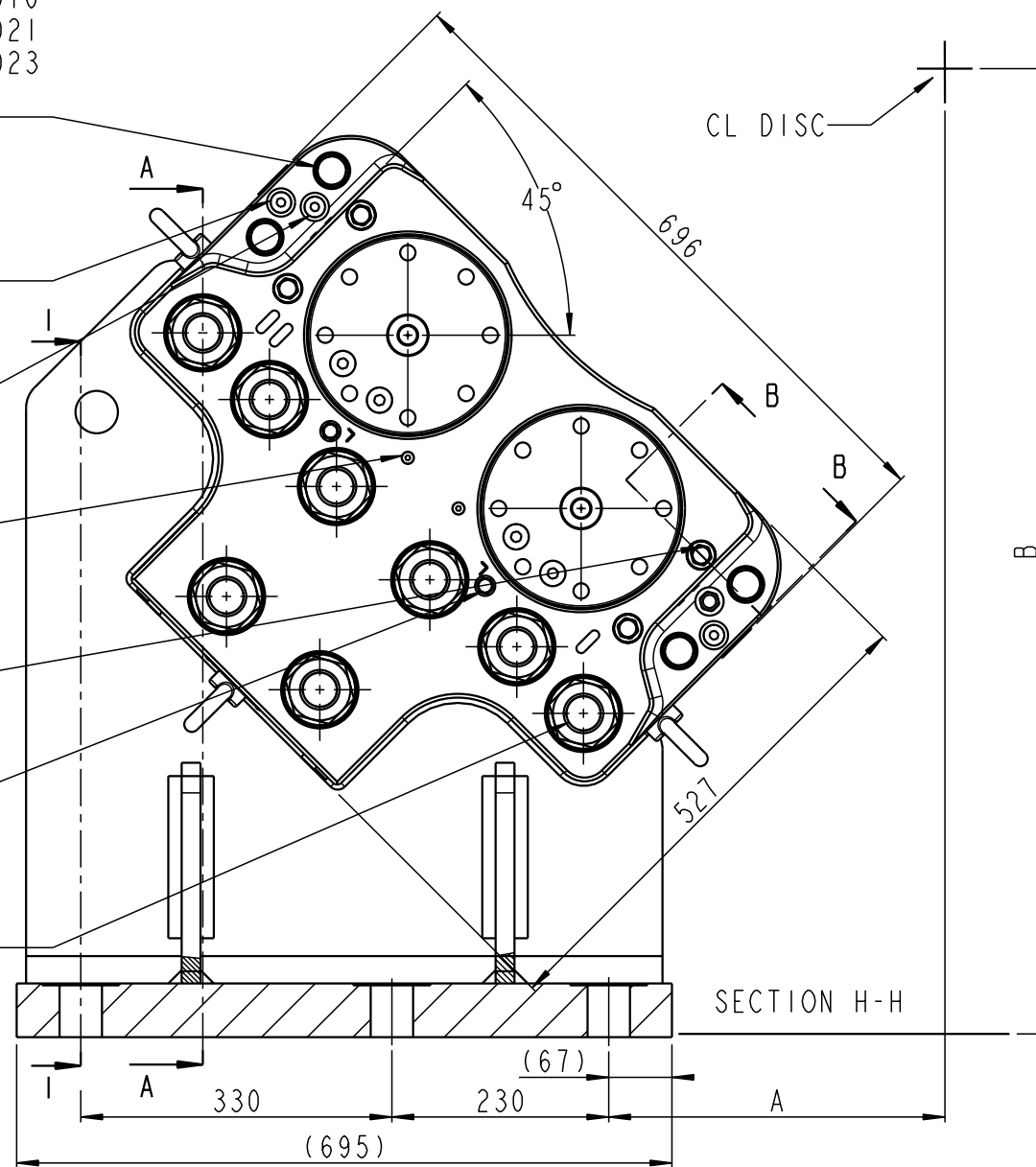
BOLT M42 CLASS 8.8 (6X)
 $M_v = 2900 \text{ Nm} \pm 150\text{Nm}$
 WITH MoS2

$\varnothing 82 \times 2\text{MM}$

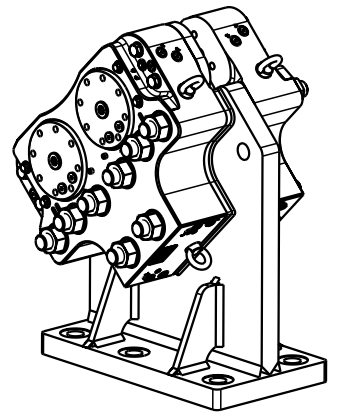
PRESSURE PORT (P)
 (ON BOTH SIDES
 OF EACH CALIPER
 HALF) G3/8

DRAIN PORT (A)
 (ON BOTH SIDES
 OF EACH CALIPER
 HALF) G3/8

CL DISC



BRACKET AND MOUNTING
 BOLTS ARE NOT INCLUDED
 IN BRAKE.
 BRACKET DIMENSIONS
 BASED ON STANDARD
 BRACKET 490-5832-001.



DISTANCE FROM CENTER OF DISC (R = RADIUS OF DISC)

$A = 0.707 (R - 103.5) - 121$

$B = 0.707 (R - 103.5) + 653$

C = BRAKE DISC THICKNESS

D = MOUNTING SURFACE WIDTH: $C + 76$

WEIGHT: APPROX 780 KG (INCL. BRAKE PADS EXCL. BOLTS AND BRACKET)

MOUNTING DATA, SEE DRAWING 490-5400

(A)+(L): DRAIN PORTS, MUST NOT BE PRESSURIZED

(P) : PRESSURE PORTS.

TOLERANCES FOR INTERNAL AND EXTERNAL RADII, ANGLES AND CHAMFERS ACCORDING TO:		ALL DIMENSIONS IN mm	DRAWING STATUS
ISO 2768 - mK		DESCRIPTION	Released
DRAWN BY RMJ	DATE 21-09-2015	BSFH D500-XXX-X-100	
DRAWING NO.		490-6023	REVISION D
SCALE		13:100 (A3)	SHEET 1 OF 1 SHEETS

SVENDBORG BRAKES RESERVES THE RIGHT TO REVISE THIS DOCUMENT WITHOUT PRIOR NOTIFICATION OR OBLIGATION

RELEASED
 by sofie.deleuran