

A

B

C

D

E

F

REV. A 100694 CLC 10.05.2019
 REV. B 101436 SFR 17.09.2020
 REV. C 102880 RMJ 25.08.2023

BOLTS M12 CLASS 10.9
 Mv = 76 ± 6 Nm
 DRY

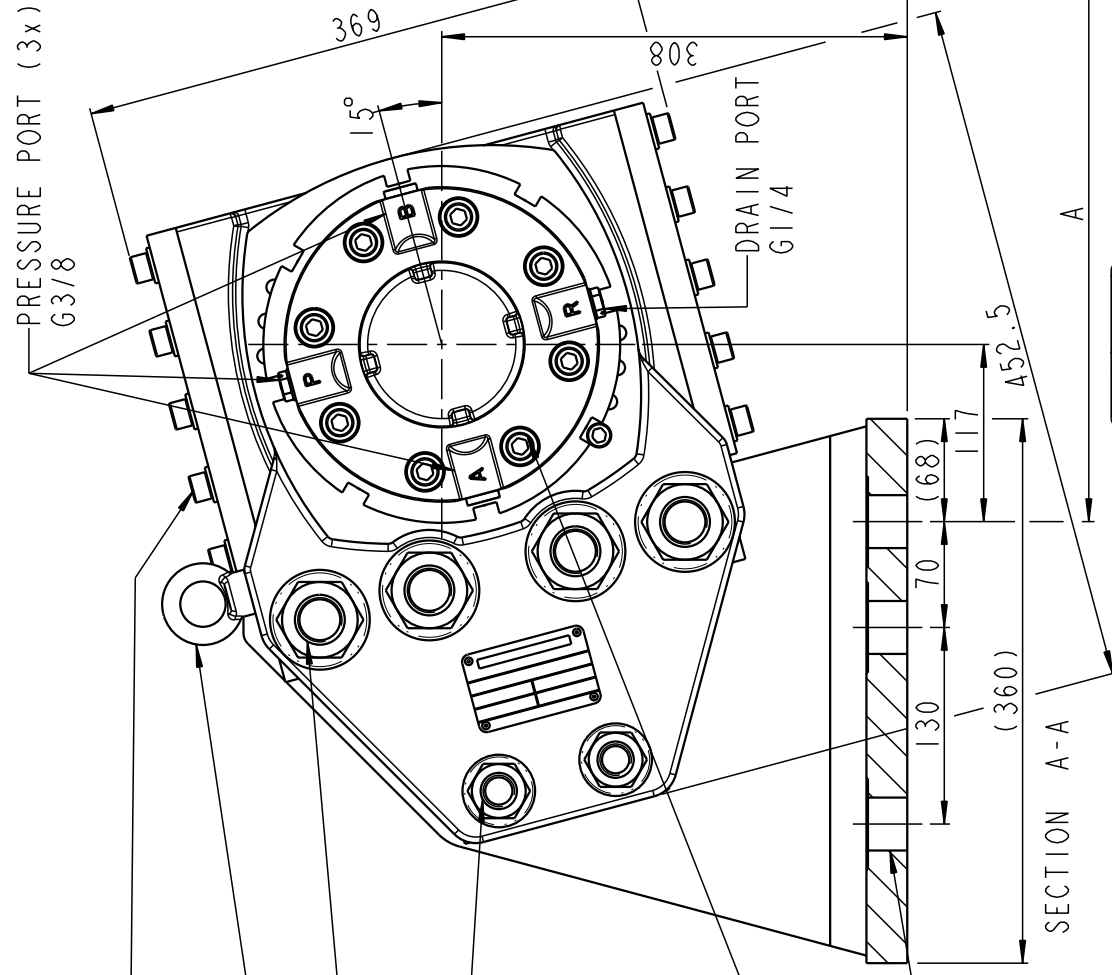
EYE BOLTS M12

BOLTS M33 CLASS 10.9
 Mv = 1520 ± 40 Nm
 WITH MoS2

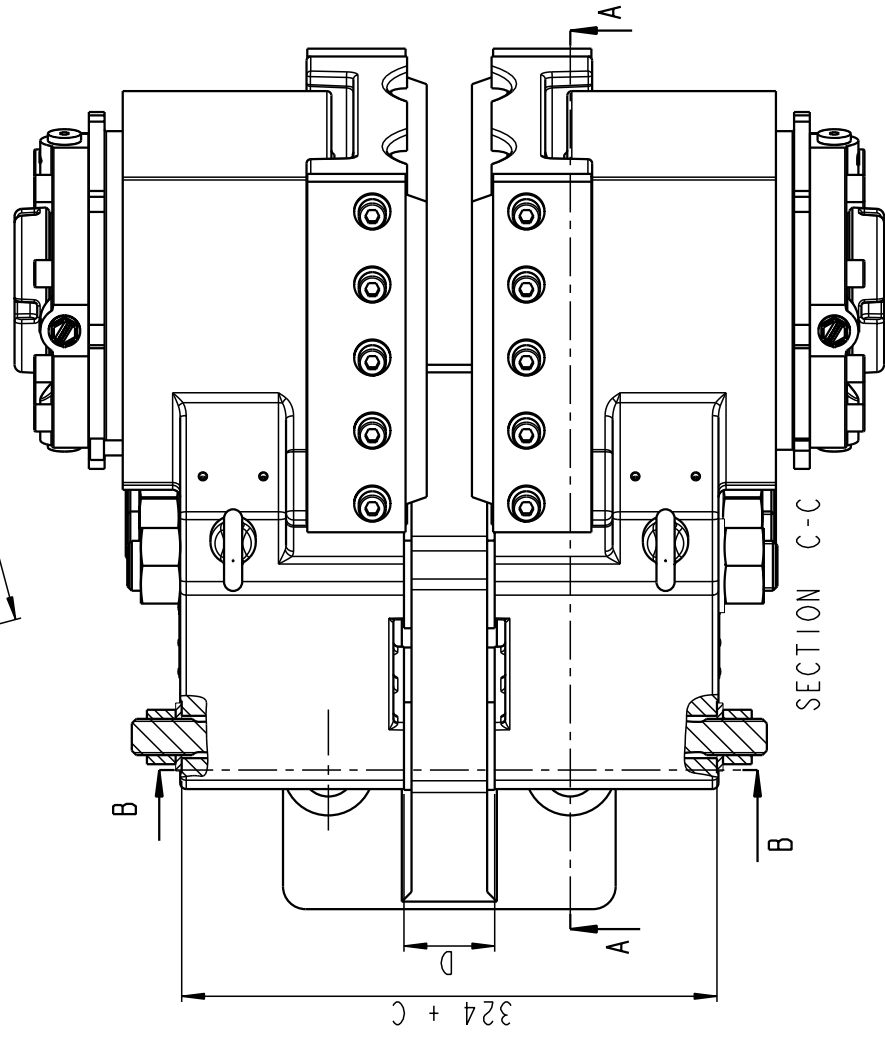
BOLTS M24 CLASS 10.9
 Mv = 607 ± 30 Nm
 WITH MoS2

BOLTS M12 CLASS 12.9
 Mv = 108 ± 8 Nm
 WITH MoS2

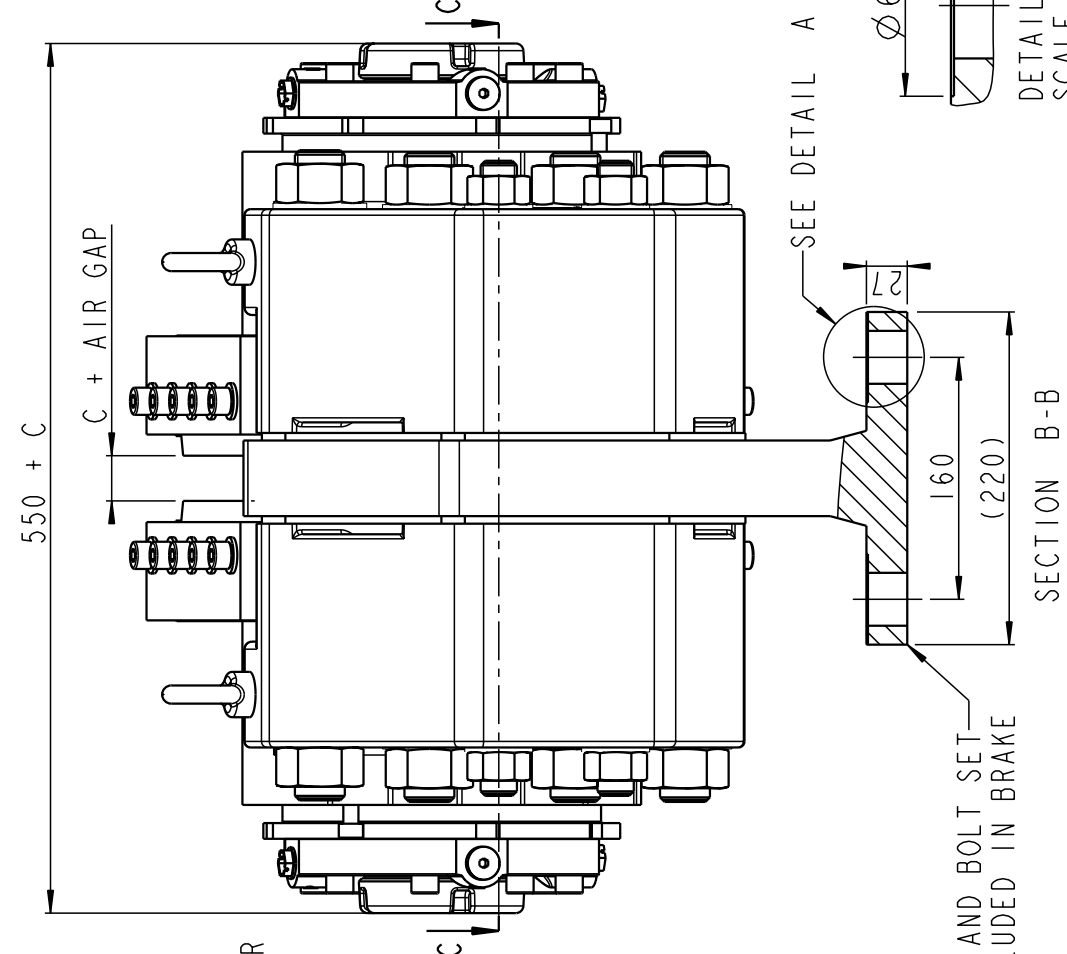
Ø 35 (6x)
 FOR BOLT M30 CLASS 8.8
 Mv = 1040 ± 50 Nm
 WITH MoS2



SECTION A-A



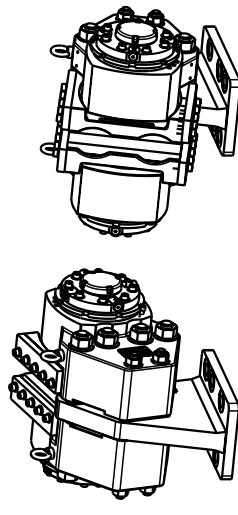
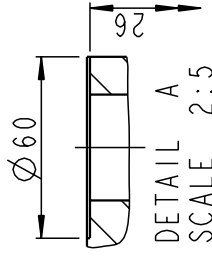
VIEW DIRECTION



SECTION B-B

BRACKET AND BOLT SET
 NOT INCLUDED IN BRAKE

SEE DETAIL A



DISTANCE FROM CENTER OF DISC (R = RADIUS OF BRAKE DISC)

A = 0.966(R-110) + 117.2

B = 0.259(R-110) + 307.9

C = DISC THICKNESS

D = MOUNTING SURFACE WIDTH = C + 30

BRACKET DIMENSIONS BASED ON BRACKET 8228-1183-802 (C MIN. = 30MM)

MOUNTING DATA, SEE DRAWING 490-3699

WEIGHT: APPROX. 270 KG INCL. BRAKE PADS (EXCL. BRACKET AND BOLTS)

TOLERANCES FOR INTERNAL AND
 EXTERNAL RADII, ANGLES AND
 CHAMFERS ACCORDING TO:
 ISO 2768 - mK

DRAWN BY SFR
 DATE 13.10.2009

DESCRIPTION
 BSFG 400-A00-02-00

ALL DIMENSIONS IN mm

DRAWING STATUS

Released

REVISION C

SCALE 1:5 (A3)

SHEET 1 OF 1 SHEETS

DRAWING NO.

478-2350



SVENDBORG BRAKES RESERVES THE RIGHT TO REVISE
 THIS DOCUMENT WITHOUT PRIOR NOTIFICATION OR OBLIGATION

RELEASED
 by randa.juma

F

E

D

C