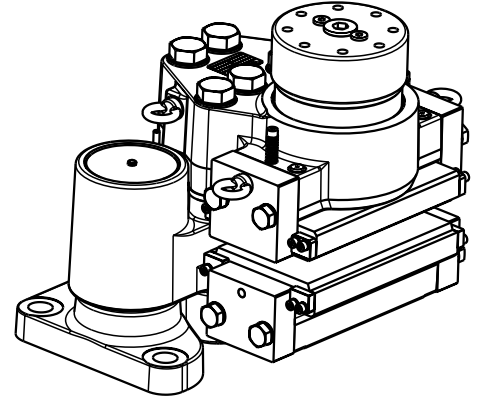
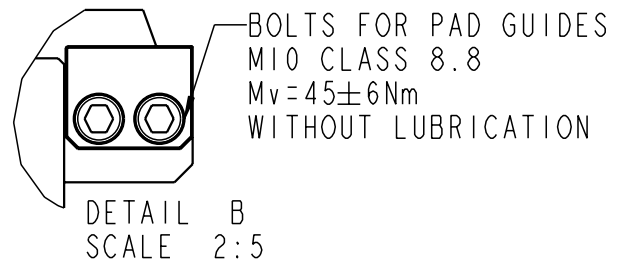
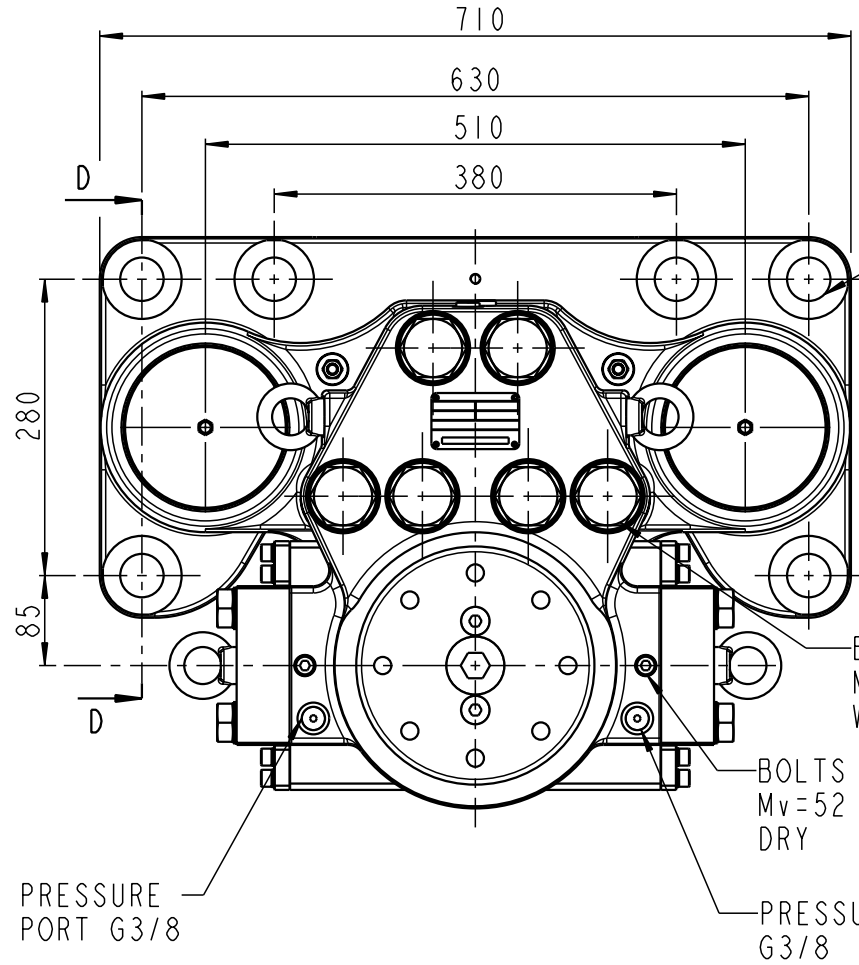
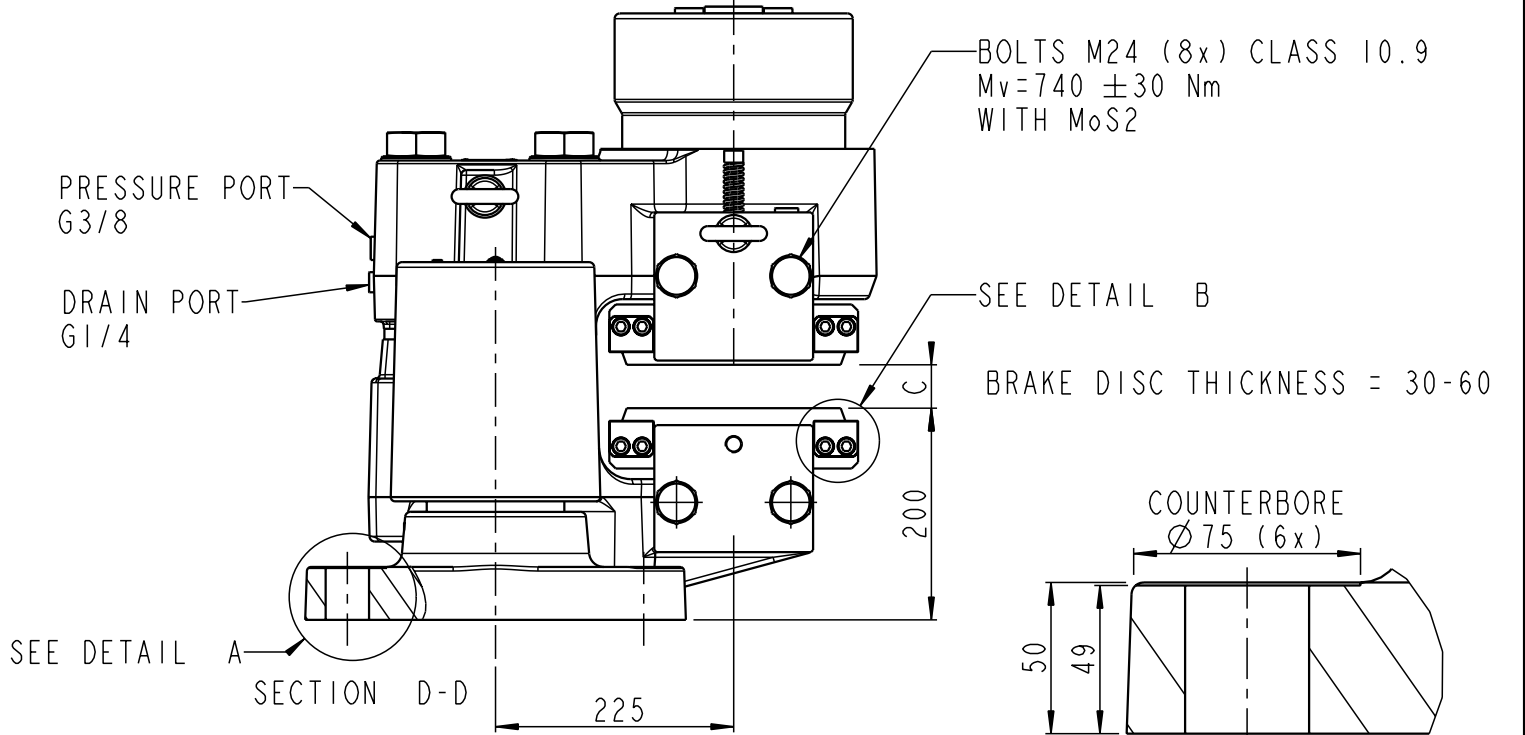
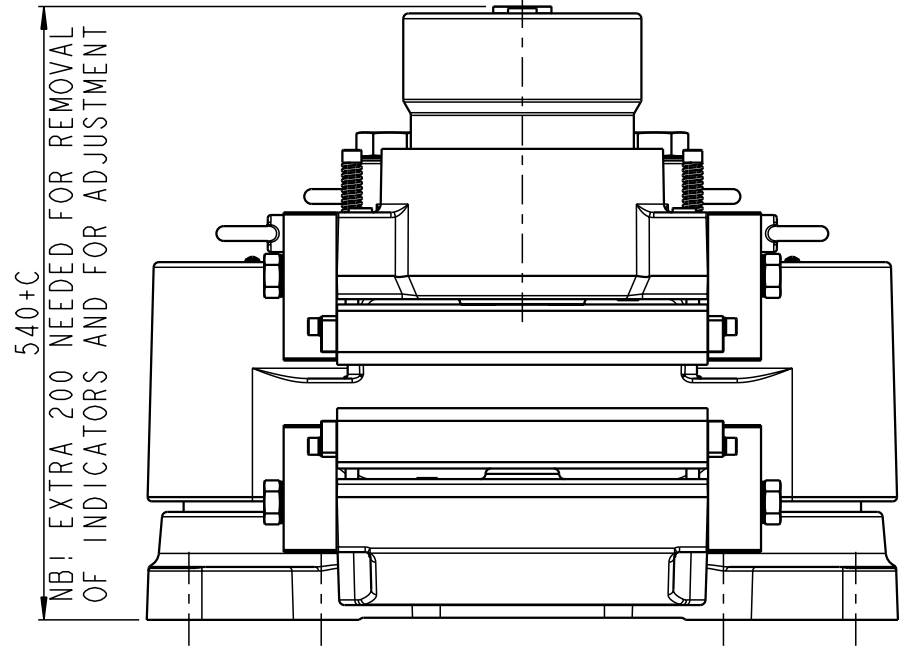


Rev. E 98072 MIH 21.09.2015
 Rev. F 101073 SDE 28.01.2020
 Rev. G 102885 RMJ 28.08.2023



BRAKE CAN MOVE ON SHAFTS:
 WITHOUT POSITIONING SYSTEM MOUNTED: 10mm UPWARDS AND 5mm DOWNWARDS FROM NOMINAL MOUNTING DIMENSION (200)
 WITH STANDARD POSITIONING SYSTEM MOUNTED: 5mm UPWARDS AND 1/2 AIR GAP DOWNWARDS FROM NOMINAL MOUNTING DIMENSION (200)

C = BRAKE DISC THICKNESS
 MOUNTING DATA, SEE DRAWING: 490-3628
 WEIGHT: APPROX. 545 kg INCL. BRAKE PADS

TOLERANCES FOR INTERNAL AND EXTERNAL RADII, ANGLES AND CHAMFERS ACCORDING TO: ISO 2768 - mK		Indicates Ra in µm	ALL DIMENSIONS IN mm	DRAWING STATUS
DRAWN BY RRH		DESCRIPTION		Released
DATE 27.04.2006		BSFK 500-MSxxS-200		
DRAWING NO.		490-3490		REVISION G
SVENDBORG BRAKES [™] A REGAL REXNORD BRAND				SCALE 7:50 (A3)
				SHEET 1 OF 1 SHEETS