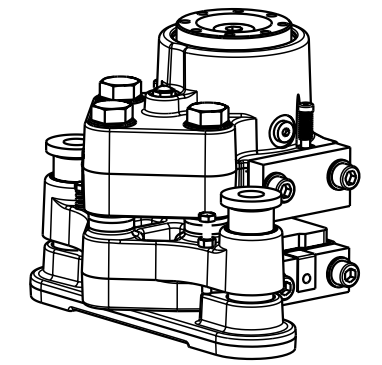
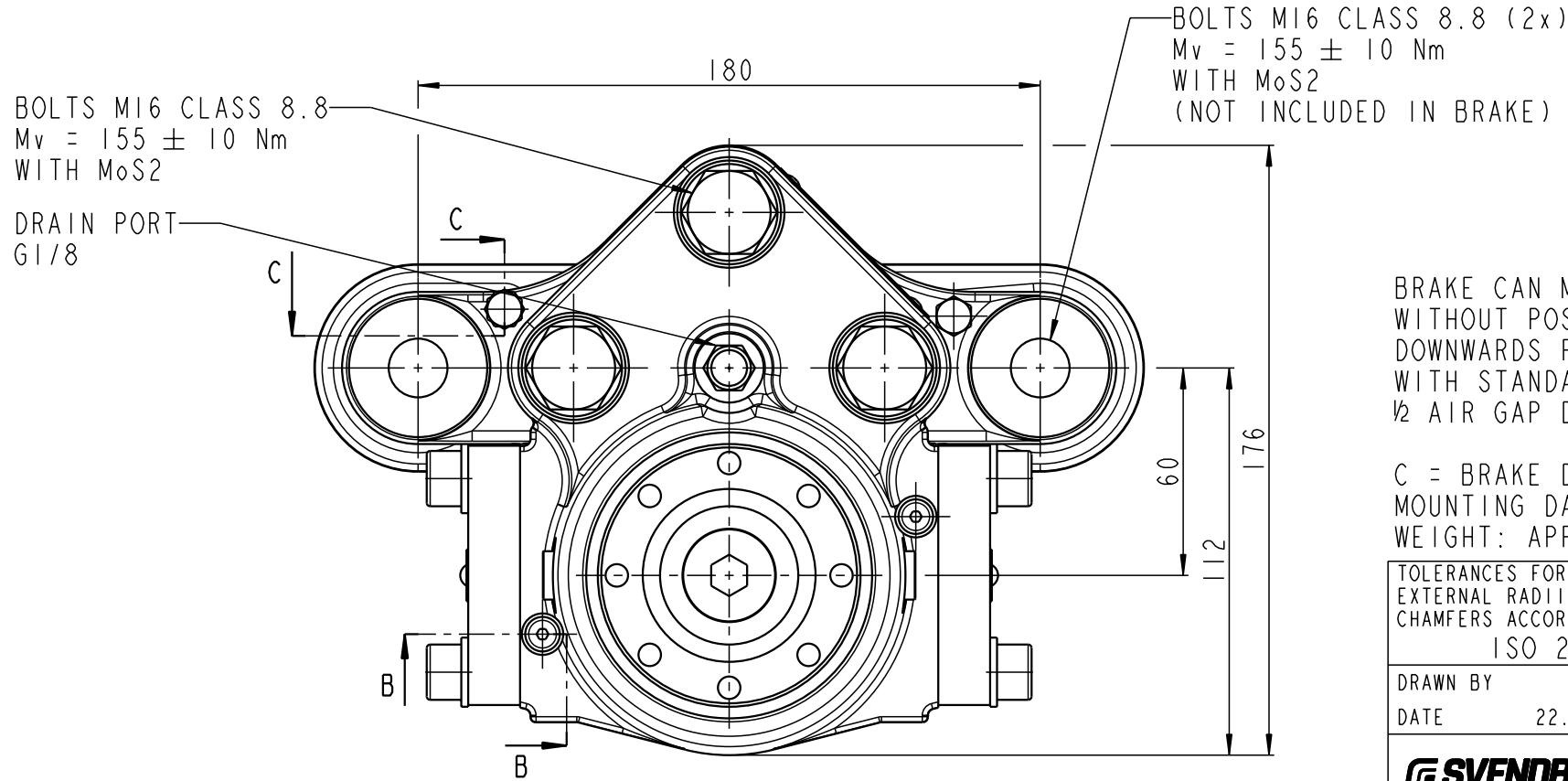
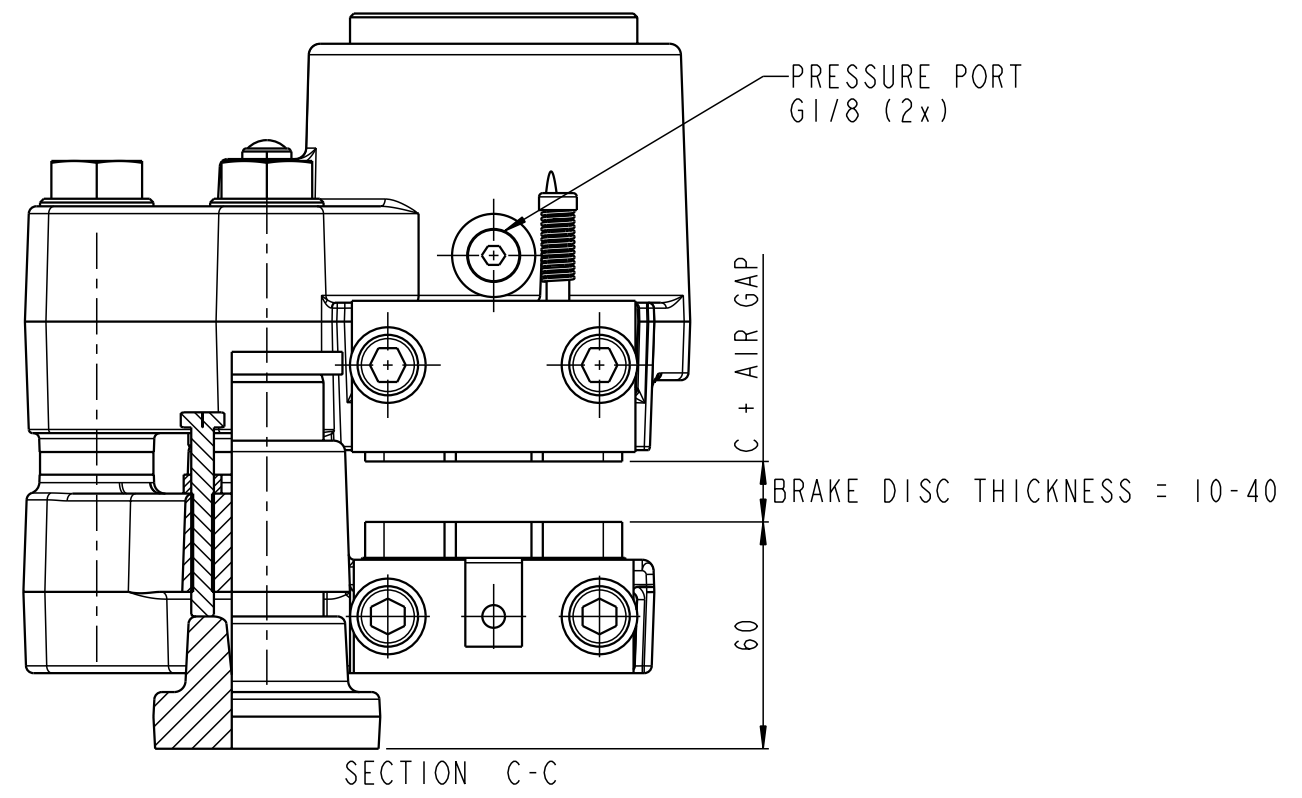
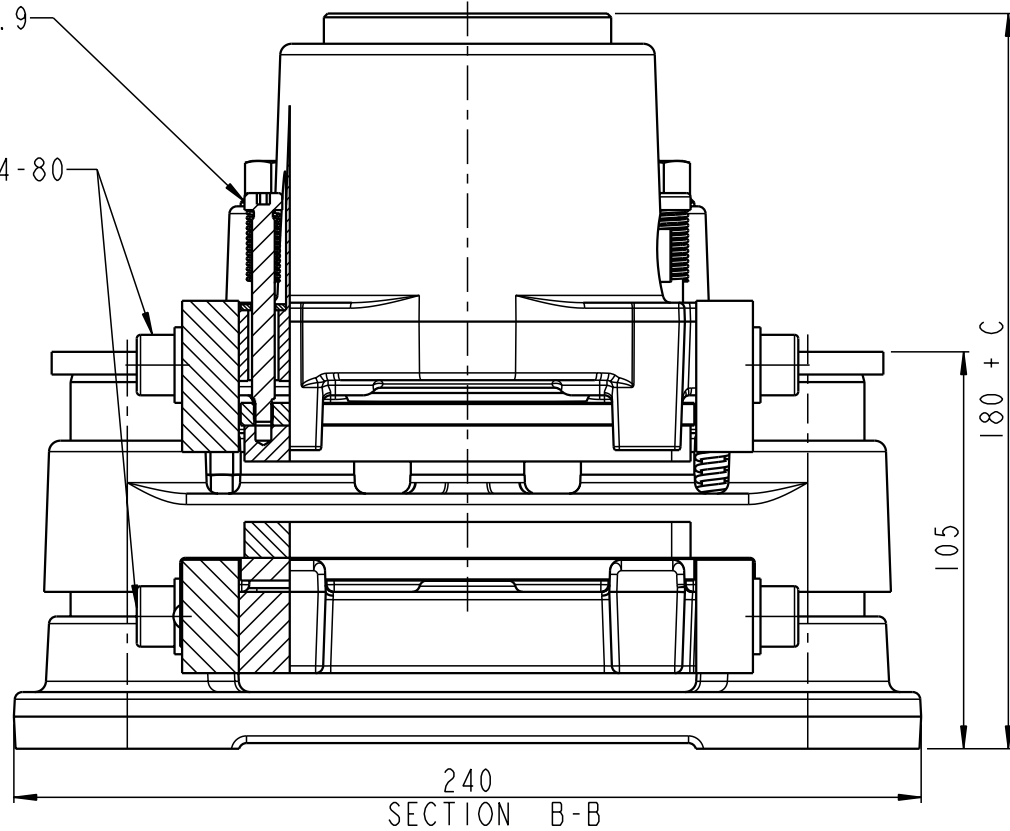


REV. B 99937 JMO 02.03.2018  
 REV. C 102301 SFR 01.06.2022  
 REV. D 102880 RMJ 07.09.2023

BOLTS M5 CLASS 12.9  
 Mv = 5 Nm  
 DRY

BOLTS M10 CLASS A4-80  
 Mv = 44 ± 6 Nm  
 DRY



BRAKE CAN MOVE ON SHAFTS:  
 WITHOUT POSITIONING SYSTEM MOUNTED: 5MM UPWARDS AND 5MM DOWNWARDS FROM NOMINAL MOUNTING DIMENSION (60).  
 WITH STANDARD POSITIONING SYSTEM MOUNTED: 5MM UPWARDS AND 1/2 AIR GAP DOWNWARDS FROM NOMINAL MOUNTING DIMENSION (60).

C = BRAKE DISC THICKNESS  
 MOUNTING DATA, SEE DRAWING: 490-1175  
 WEIGHT: APPROX. 18KG INCL. BRAKE PADS

TOLERANCES FOR INTERNAL AND EXTERNAL RADII, ANGLES AND CHAMFERS ACCORDING TO: ISO 2768 - mK		ALL DIMENSIONS IN mm	DRAWING STATUS
DRAWN BY RCH		DESCRIPTION BSF1 200-MSXXX-400 HIGH PRESSURE WITH POSITIONING SYSTEM	<b>Released</b>
DATE 22.01.2010			
DRAWING NO.		SCALE 1:2 (A3)	SHEET 1 OF 1 SHEETS
<b>SVENDBORG BRAKES</b> A REGAL REXNORD BRAND		490-4209	