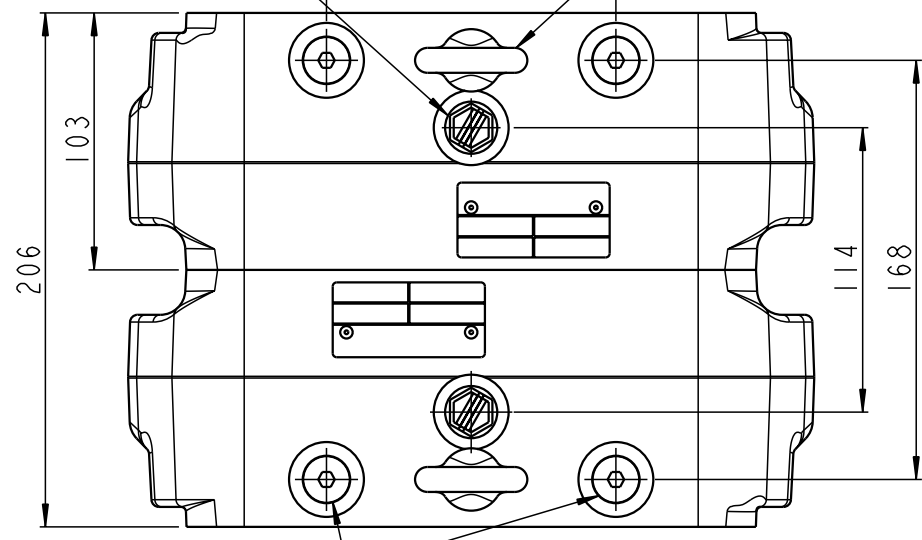
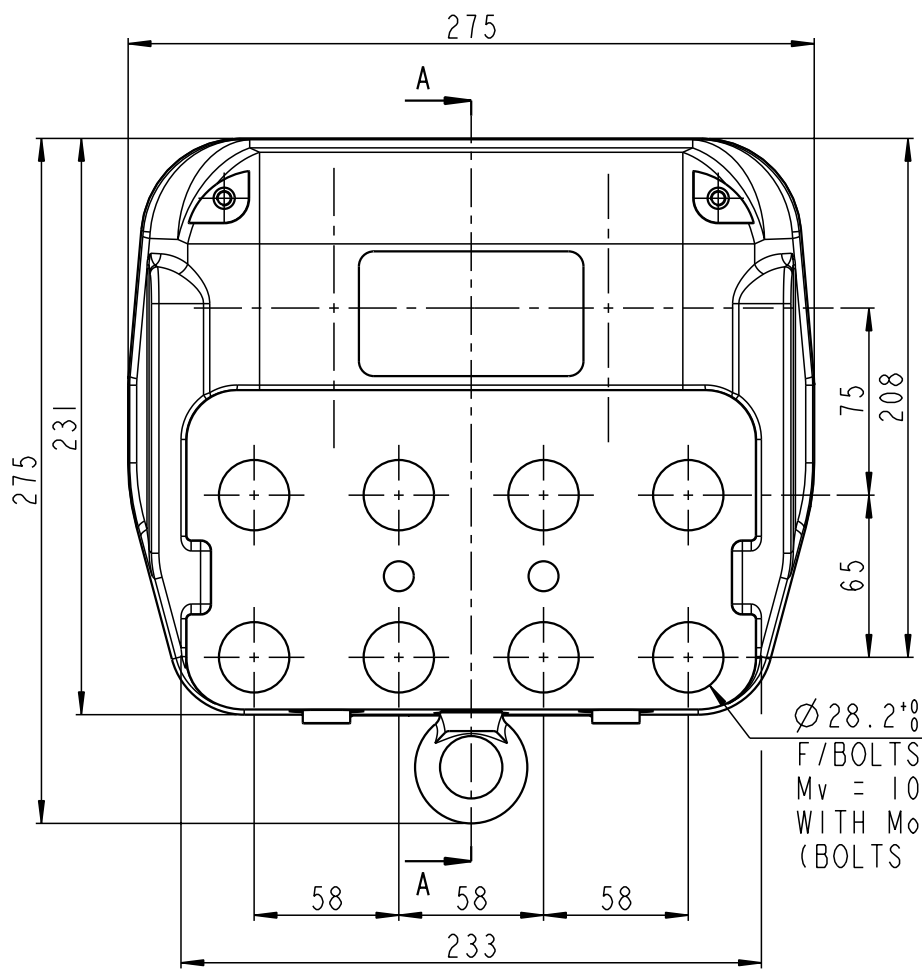


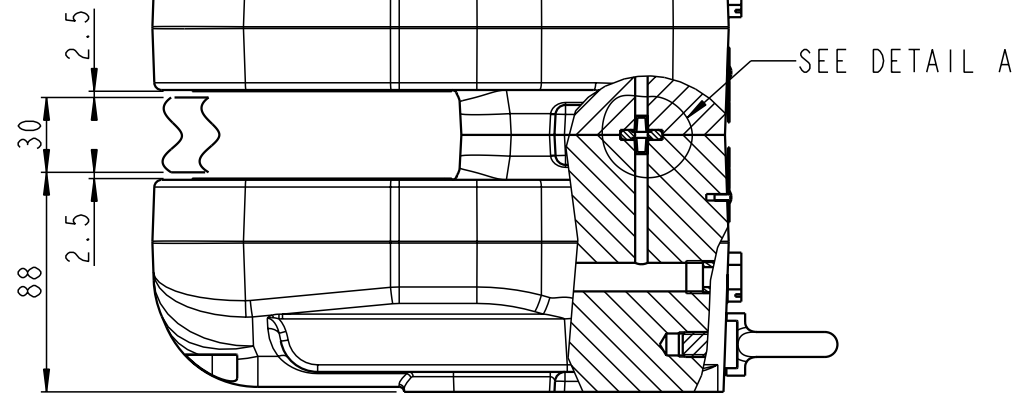
DRAIN PORT
 G1/4 (2x)
 116
 M10 EYE BOLT (2x)



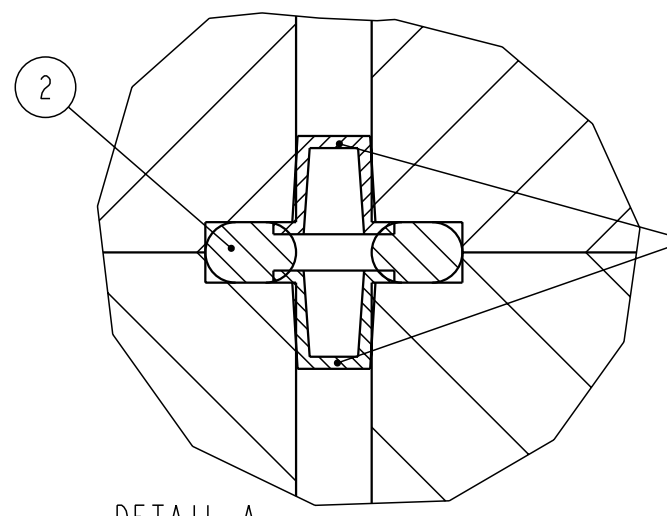
PRESSURE PORT
 G1/4 (4x)



Ø28.2^{+0.4} (8x)
 F/BOLTS M27 CLASS 10.9 (8x)
 Mv = 1080 ± 40Nm
 WITH MoS2
 (BOLTS NOT INCLUDED)

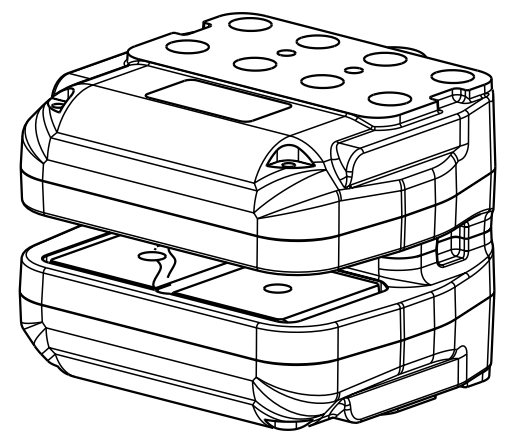
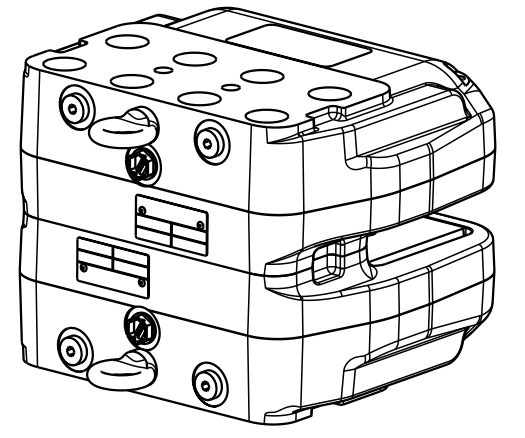


SECTION A-A



DETAIL A
 SCALE 2:1

REMOVE THE DUST PLUGS
 FROM DRAIN CONNECTIONS
 BEFORE MOUNTING THE BRAKE.



MAX. 185 BAR, BOLTS M27 - CLASS 10.9
 STD. DISC THICKNESS: 30mm WITH NO SPACER
 WEIGHT: APPROX. 59 kg

TOLERANCES FOR INTERNAL AND EXTERNAL RADII, ANGLES AND CHAMFERS ACCORDING TO: ISO 2768 - mK		ALL DIMENSIONS IN mm	DRAWING STATUS
DRAWN BY ROL		DESCRIPTION BSAB 90-S-550 COMPL.	Released
DATE 22.04.2015			
DRAWING NO. 490-5923-803		REVISION B	SCALE 33:100 (A3)
SVENDBORG BRAKES [™] A REGAL REXNORD BRAND		SHEET 1 OF 1 SHEETS	