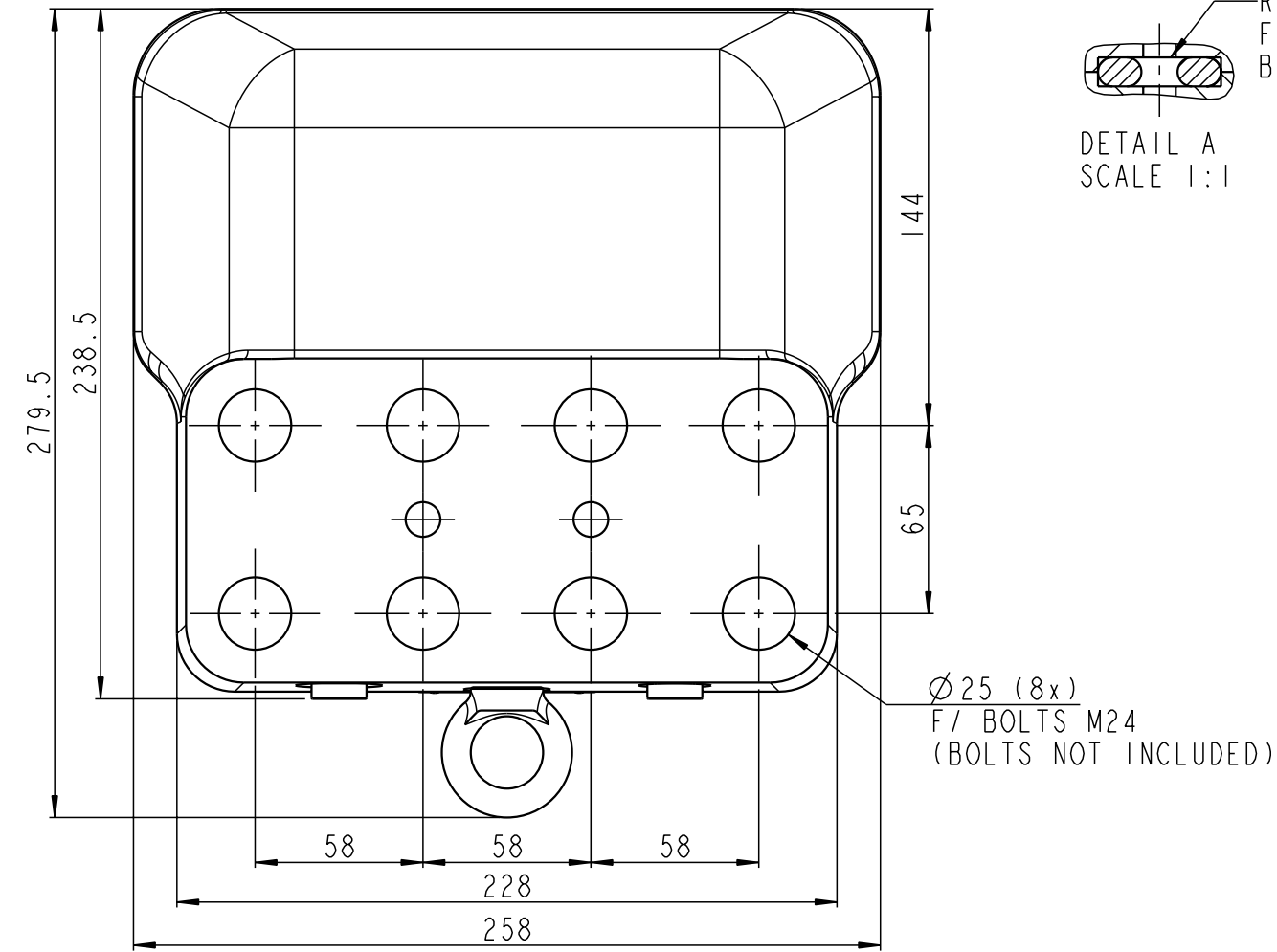
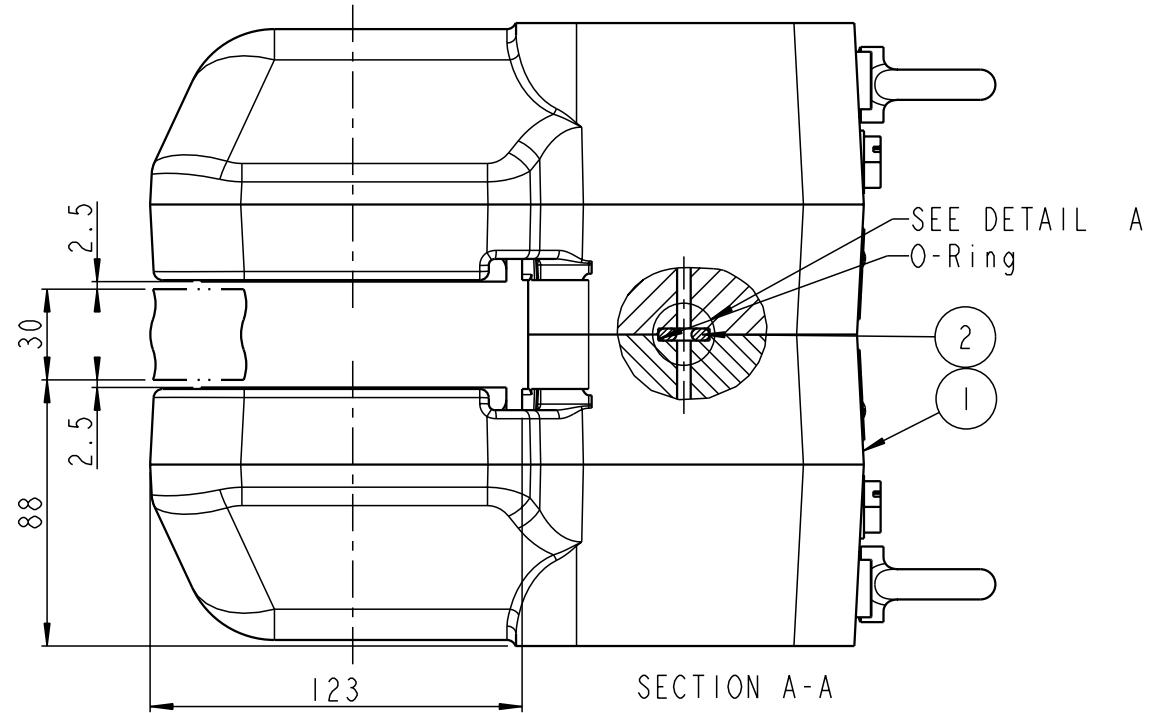
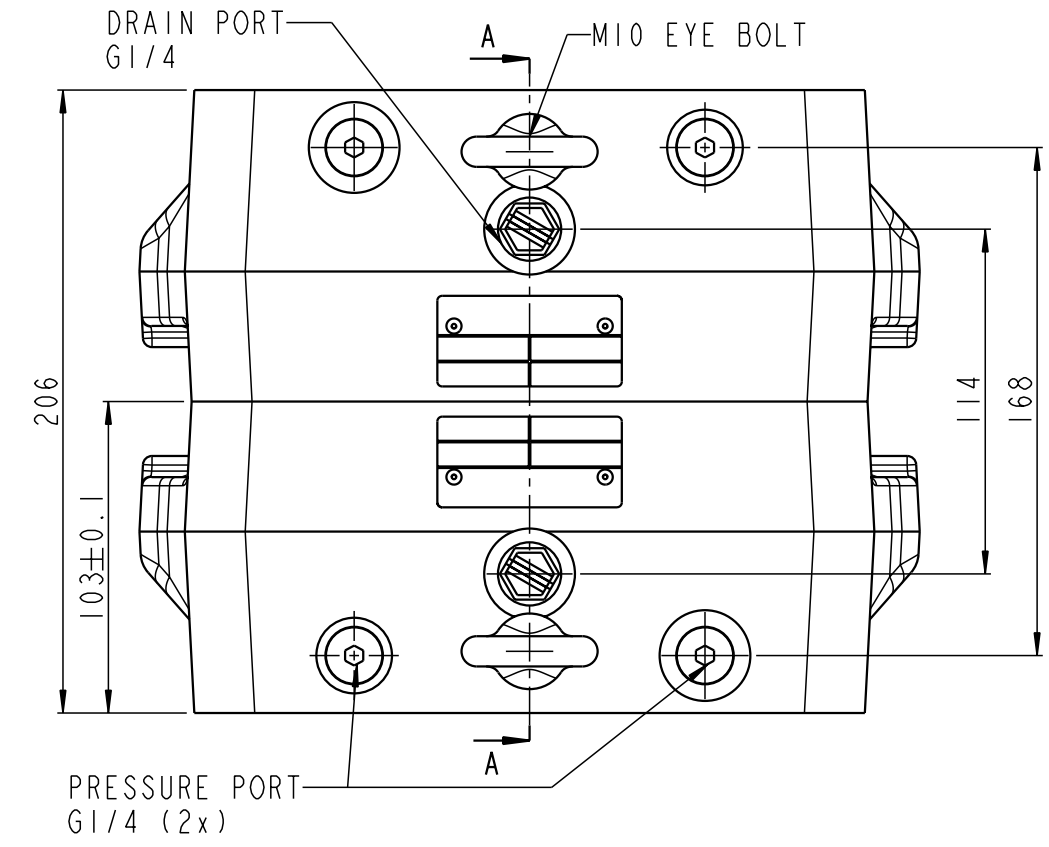
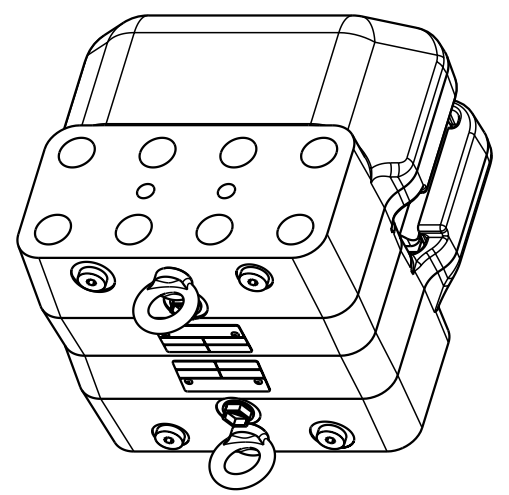


REV. C 96919 SFR 05.02.2014
 REV. D 102667 RMJ 17.03.2023
 REV. E 102881 SDE 24.08.2023



REMOVE DUST PLUG FROM DRAIN CONNECTION BEFORE MOUNTING THE BRAKE

DETAIL A
 SCALE 1:1



MOUNTING BOLTS
 8x M24 CLASS 10.9
 GREASED WITH MoS2 - Mv = 740 ± 30 Nm

8x M24 CLASS 12.9
 GREASED WITH MoS2 - Mv = 890 ± 30 Nm

MOUNTING DATA - SEE 490-1275 PAGE 1/2 & 2/2

MAX 135 BAR, BOLTS M 24, CLASS 10.9.
 MAX 157 BAR, BOLTS M 24, CLASS 12.9.

APPROX. WEIGHT: 54 kg

POS	QTY	ITEM NO.	NAME
1	2	490-1261-801	BSAB 75-S-401 1/2
2	1	6490-0028-006	O-ring for BSAB

TOLERANCES FOR INTERNAL AND EXTERNAL RADII, ANGLES AND CHAMFERS ACCORDING TO: ISO 2768 - mK		ALL DIMENSIONS IN mm	DRAWING STATUS
DRAWN BY JEA		DESCRIPTION BSAB 75-S-401 30MM DISC F/M24	Released
DATE 14.09.1999			
		DRAWING NO.	SCALE 2:5 (A3)
		490-1255-801	SHEET 1 OF 1 SHEETS