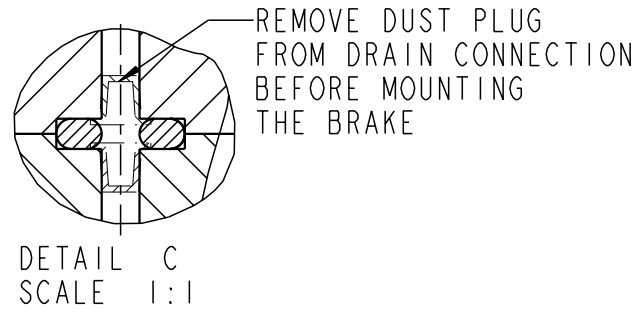
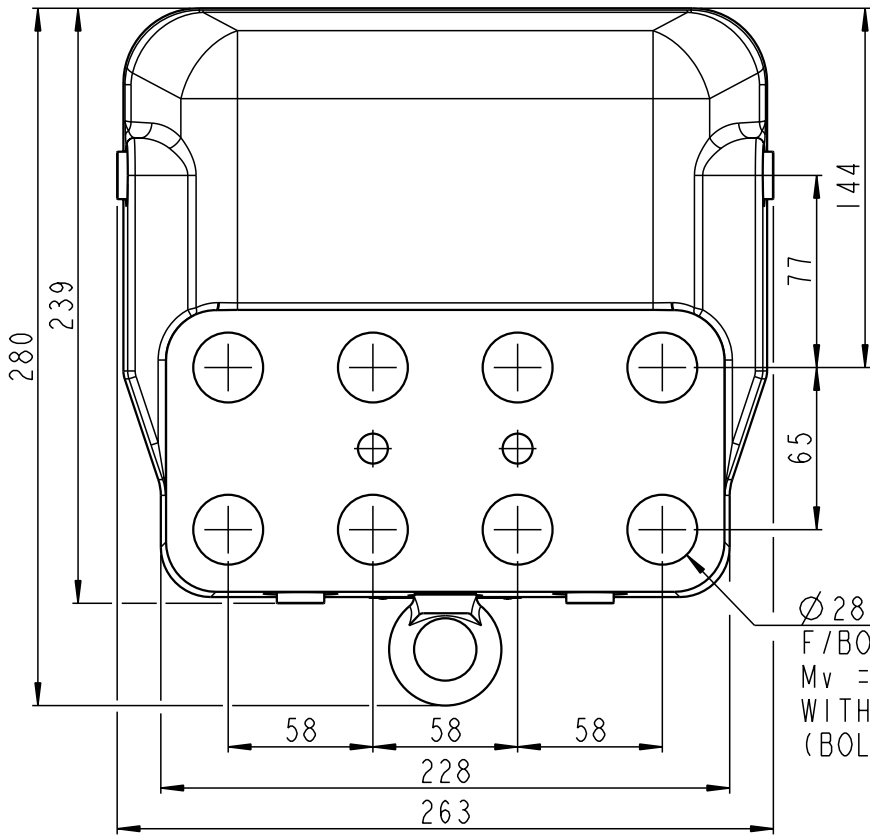
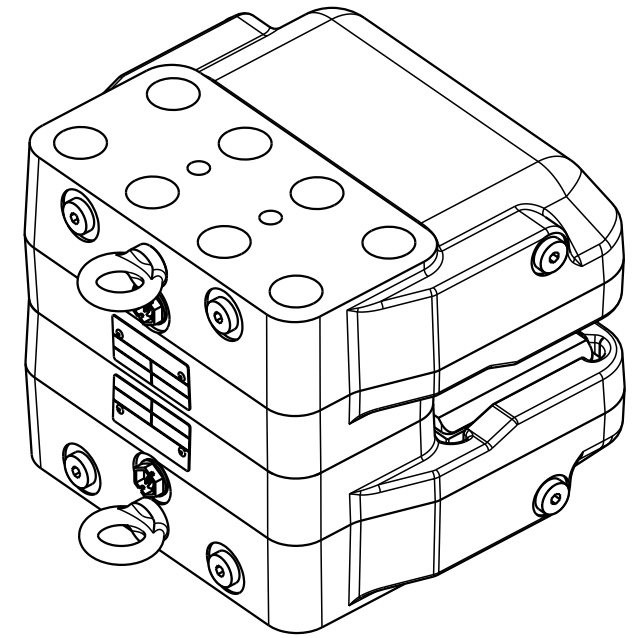
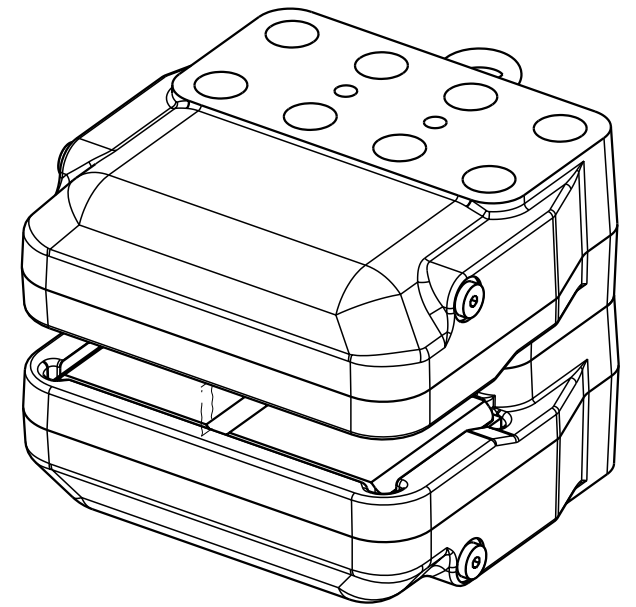
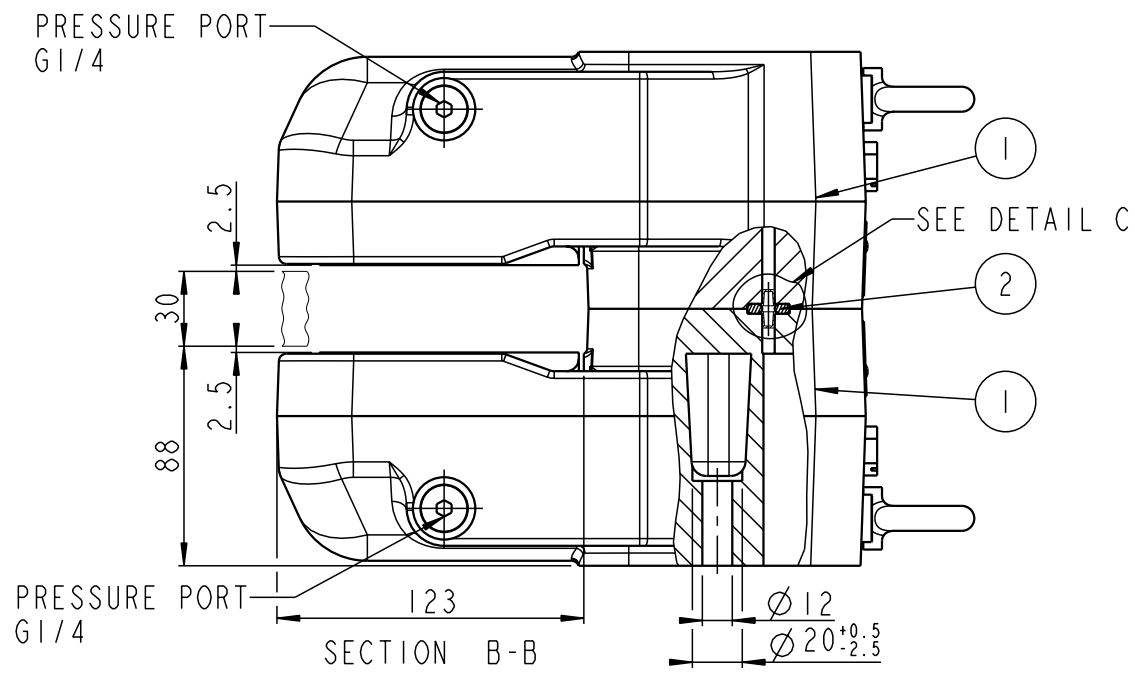
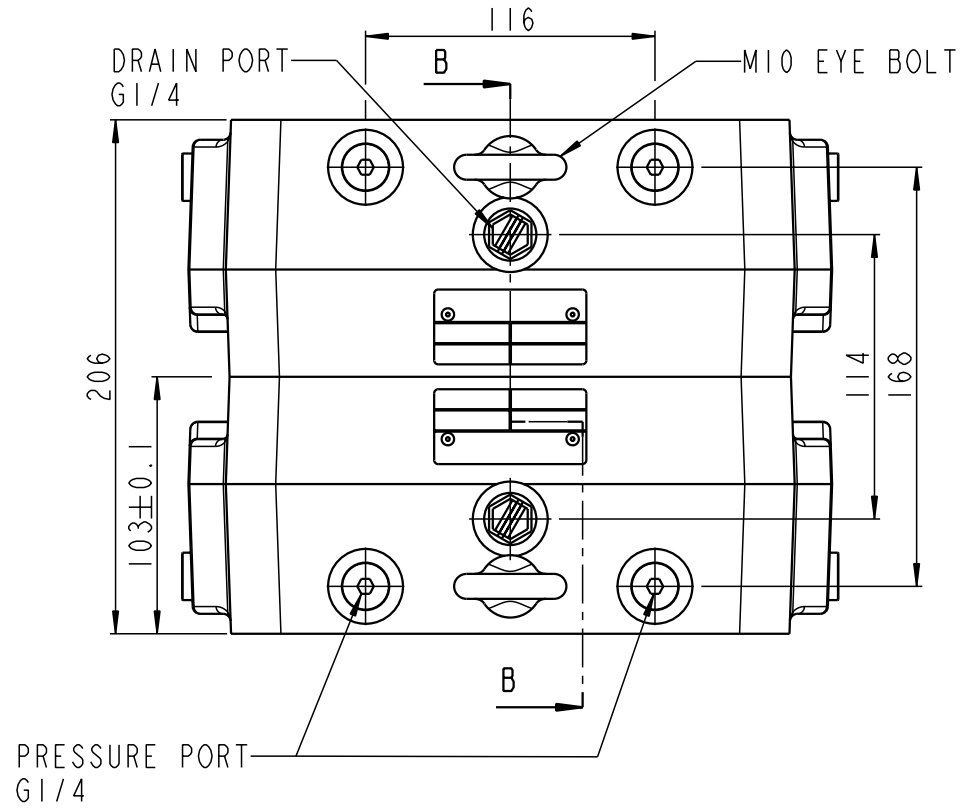


SVENDBORG BRAKES, DENMARK
 CVR / VAT: 13256438
 WWW.SVENDBORG-BRAKES.COM

REV. D 92990 RRH 16.09.2005
 REV. E 101239 SFR 12.05.2020
 REV. F 102881 SDE 24.04.2023

THIS DRAWING/DRAWING REMAINS THE PROPERTY OF SVENDBORG BRAKES AND MUST NOT BE COPIED WITHOUT OUR PRIOR WRITTEN PERMISSION. AND THE CONTENTS THEREOF MUST NOT BE DISCLOSED TO ANY THIRD PARTY. NOR BE USED FOR ANY UNAUTHORIZED PURPOSE. LEGAL ACTION WILL BE TAKEN IN THE EVENT OF CONTRAVENTION.



POS	QTY	ITEM NO.	NAME	L
1	2	490-1884-802	BSAB 90-S-401 1/2	2
2	1	6490-0028-006	O-RING FOR BSAB	2

MAX. 157 BAR, BOLTS M27 - CLASS 10.9
 DISC THICKNESS: 30.0 MM WITHOUT SPACER
 WEIGHT: APPROX. 55 KG

TOLERANCES FOR INTERNAL AND EXTERNAL RADII, ANGLES AND CHAMFERS ACCORDING TO: ISO 2768 - mK		ALL DIMENSIONS IN mm	DRAWING STATUS
DRAWN BY NCH		DESCRIPTION BSAB 90-S-401 COMPL. F/M27	Released
DATE 20.03.2002			
DRAWING NO. 490-1946-8XX		SCALE 33:100 (A3)	
SVENDBORG BRAKES A REGAL REXNORD BRAND		SHEET 1 OF 1 SHEETS	

SVENDBORG BRAKES RESERVES THE RIGHT TO REVISE THIS DOCUMENT WITHOUT PRIOR NOTIFICATION OR OBLIGATION

RELEASED
 by sofie.deleuran