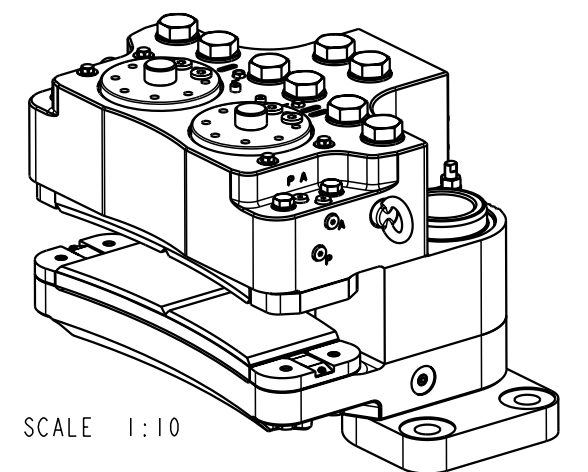
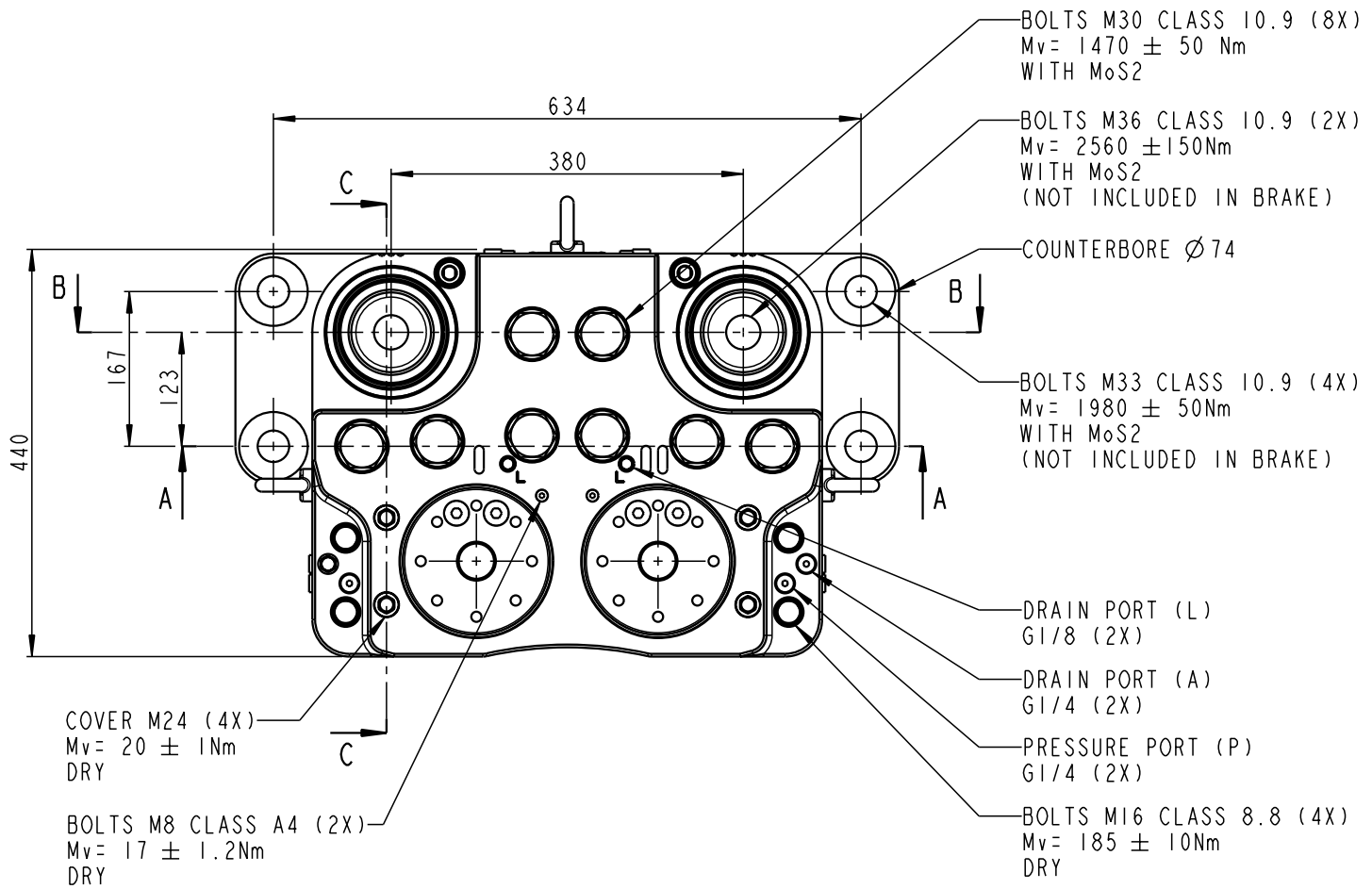
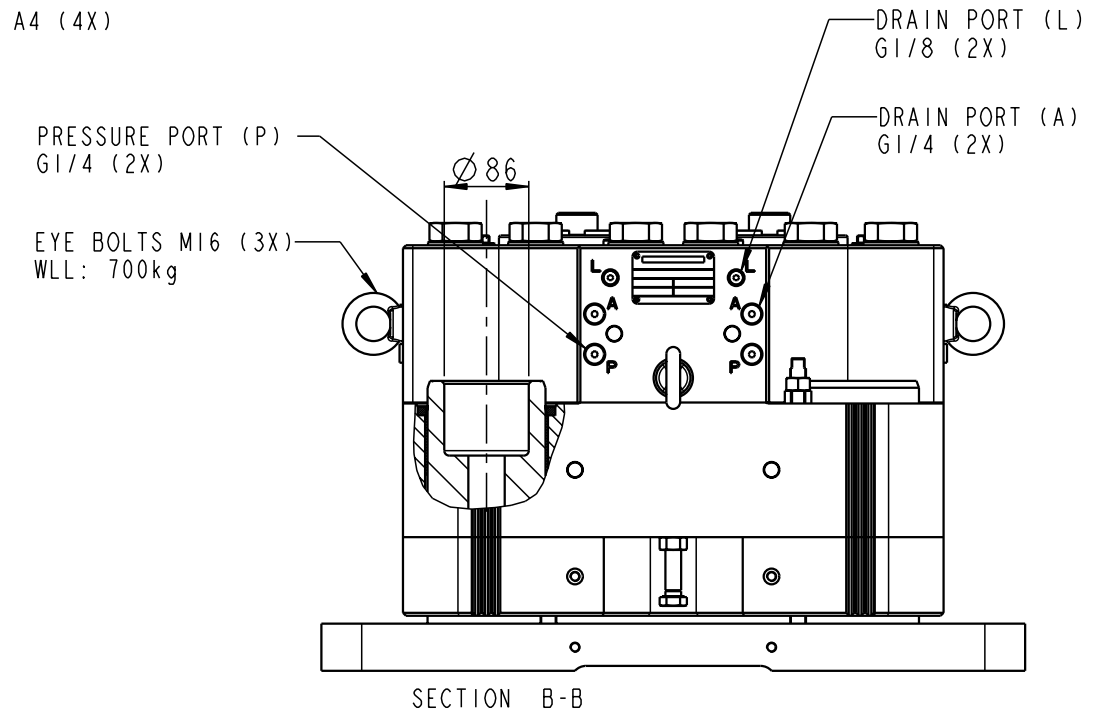
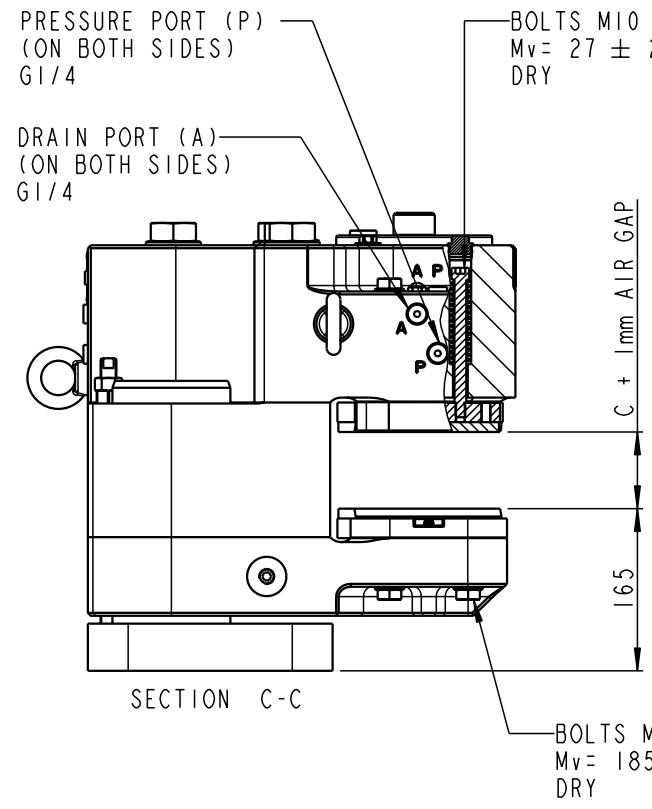
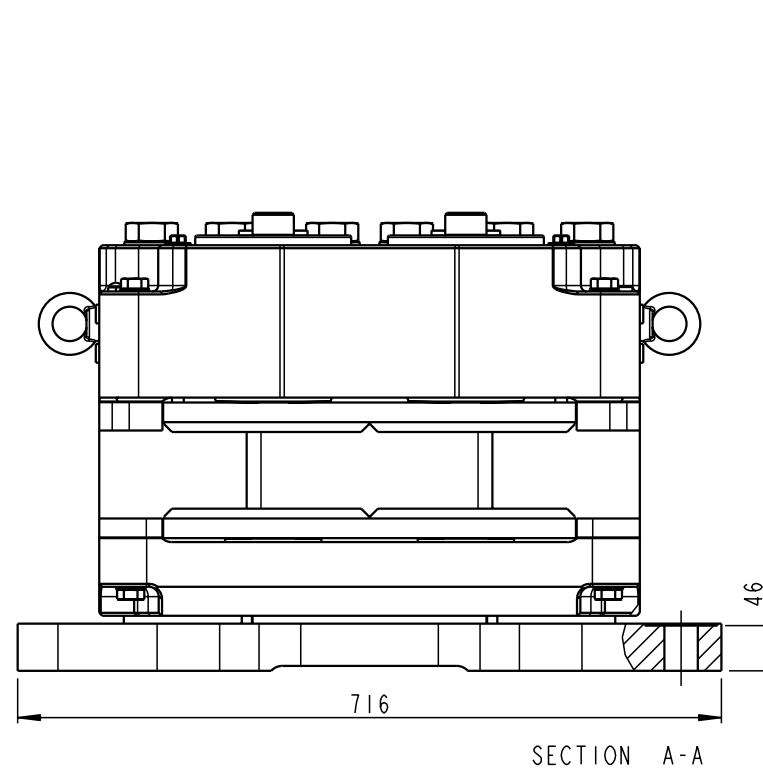


REV. A 102885 RMJ 28-08-2023



BRAKE CAN MOVE ON SHAFTS:
 WITHOUT POSITIONING SYSTEM MOUNTED: 10mm UPWARDS AND 5mm DOWNWARDS FROM NOMINAL MOUNTING DIMENSION (165)
 WITH STANDARD POSITIONING SYSTEM MOUNTED: 1mm UPWARDS AND ½ AIR GAP DOWNWARDS FROM NOMINAL MOUNTING DIMENSION (165)

C = BRAKE DISC THICKNESS (FROM 26 to 77mm DEPENDING ON SPACER THICKNESS)
 MOUNTING DATA, SEE DRAWING: 490-5471
 WEIGHT: APPROX. 515-560 kg INCL. BRAKE PADS

TOLERANCES FOR INTERNAL AND EXTERNAL RADII, ANGLES AND CHAMFERS ACCORDING TO: ISO 2768 - mK		ALL DIMENSIONS IN mm	DRAWING STATUS
DRAWN BY RMJ	DATE 05-11-2019	DESCRIPTION BSFI D3000-XXX-MSXXX-101	Released
DRAWING NO. 490-7004		SCALE 13:100 (A3)	
SVENDBORG BRAKES A REGAL REXNORD BRAND		SHEET 1 OF 1 SHEETS	