

SVENDBORG BRAKES, DENMARK  
 CVR / VAT: 13256438  
 WWW.SVENDBORG-BRAKES.COM  
 THIS DRAWING/DOCUMENT REMAINS THE PROPERTY OF SVENDBORG BRAKES AND MUST NOT BE COPIED WITHOUT OUR PRIOR WRITTEN PERMISSION. AND THE CONTENTS THEREOF MUST NOT BE DISCLOSED TO ANY THIRD PARTY. NOR BE USED FOR ANY UNAUTHORIZED PURPOSE. LEGAL ACTION WILL BE TAKEN IN THE EVENT OF CONTRAVENTION.

REV. D 100916 COT 11.10.2019  
 REV. E 101436 SFR 17.09.2020  
 REV. F 102880 RMJ 25.08.2023

BOLTS M12 CLASS 10.9  
 $M_v = 91 \pm 8 \text{ Nm}$   
 WITH MoS2

PRESSURE PORT  
 G1/4 (2x)

DRAIN PORT  
 G1/8

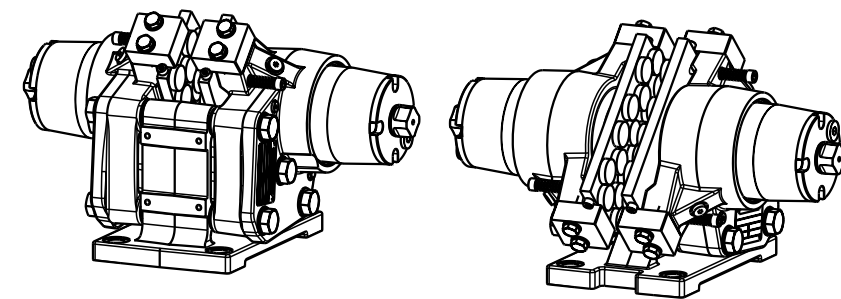
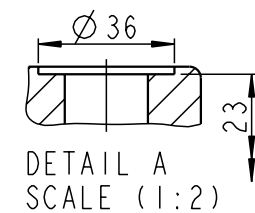
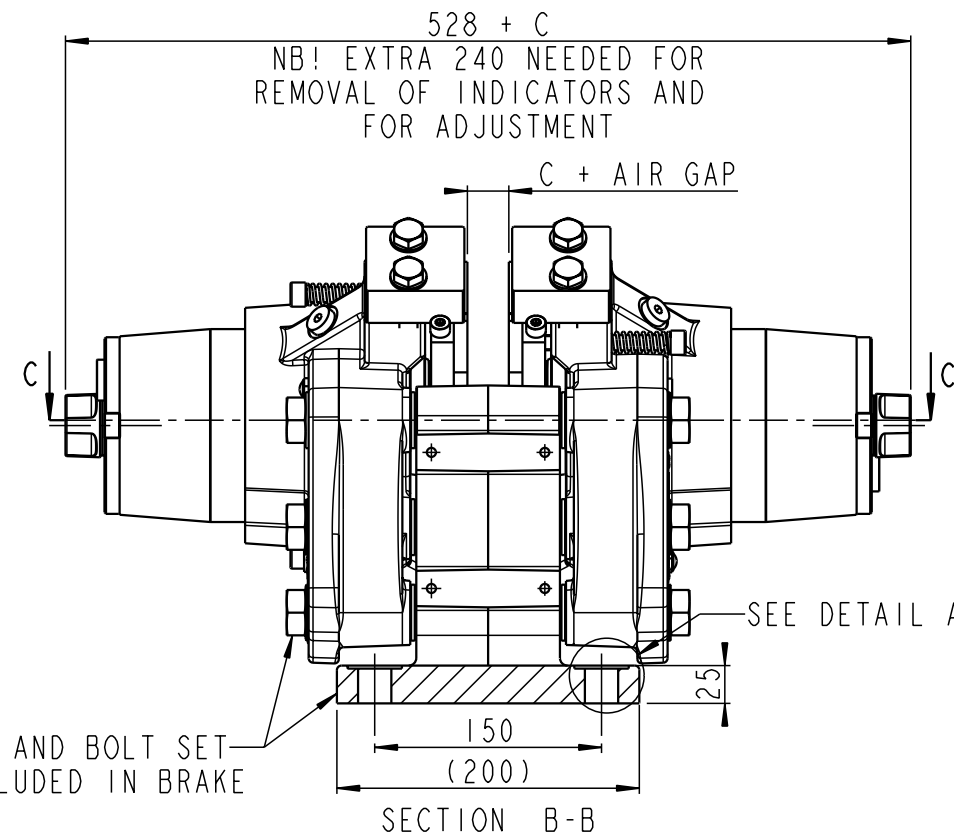
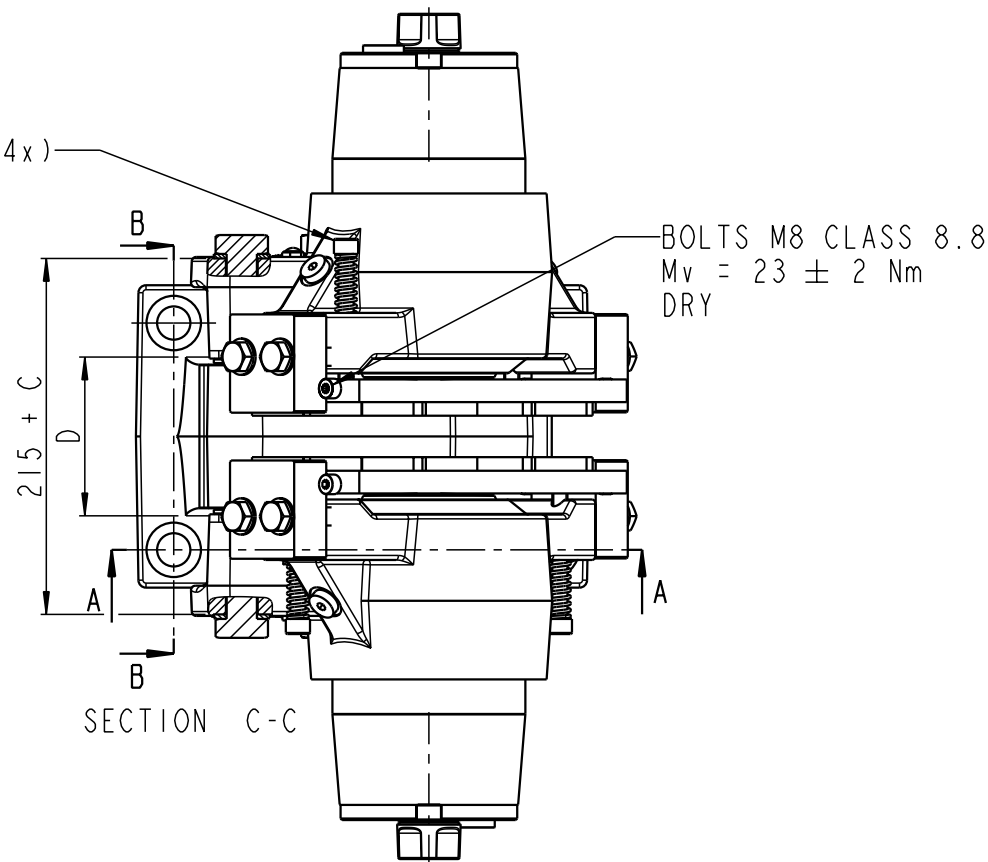
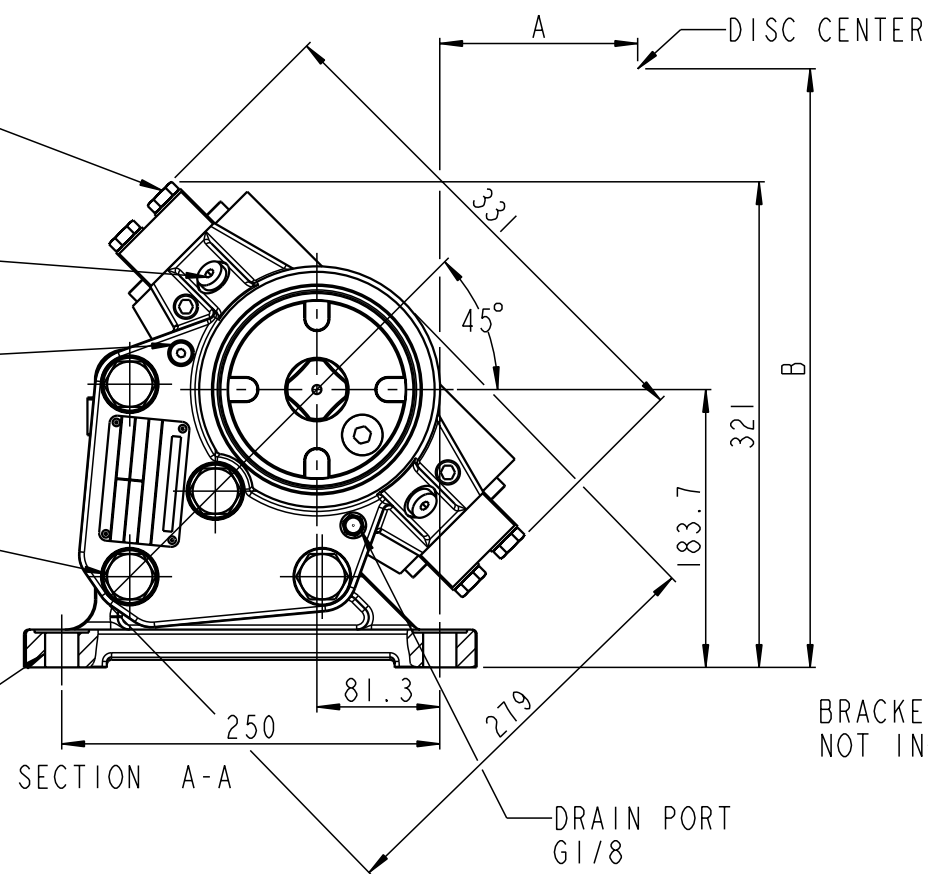
FOR BRAKES UP TO  
 AND INCL. BSFI 350:  
 BOLTS M20 CLASS 8.8  
 $M_v = 305 \pm 20 \text{ Nm}$   
 WITH MoS2

FOR BRAKES LARGER  
 THAN BSFI 350:  
 BOLTS M20 CLASS 10.9  
 $M_v = 430 \pm 20 \text{ Nm}$   
 WITH MoS2


$\varnothing 22$  (4x)  
 FOR BOLTS M20 CLASS 8.8  
 $M_v = 305 \pm 20 \text{ Nm}$   
 WITH MoS2  
 (BOLTS NOT INCLUDED)

BOLTS M10 CLASS 8.8 / A2 (4x)  
 $M_v = 27 \pm 2 \text{ Nm}$   
 DRY

BOLTS M8 CLASS 8.8  
 $M_v = 23 \pm 2 \text{ Nm}$   
 DRY



DISTANCE FROM CENTER OG BRAKE DISC (R = RADIUS OF BRAKE DISC)  
 $A = 0.7071(R-65) - 81.3$   
 $B = 0.7071(R-65) + 183.7$   
 C = BRAKE DISC THICKNESS  
 D = MOUNTING SURFACE WIDTH = C + 77  
 BRACKET DIMENSIONS BASED ON BRACKET 178-0399-002 (C MIN. = 20MM)  
 MOUNTING DRAWING, SEE DRAWING 490-2349  
 WEIGHT: APPROX. 90 kg INCL. BRAKE PADS (EXCL. BRACKET AND BOLTS)

TOLERANCES FOR INTERNAL AND EXTERNAL RADII, ANGLES AND CHAMFERS ACCORDING TO:		ALL DIMENSIONS IN mm	DRAWING STATUS
ISO 2768 - mK		DESCRIPTION	<b>Released</b>
DRAWN BY R.R.Hansen		BSFI 300-S-300	
DATE 18.10.2000		DRAWING NO.	REVISION F
		490-2416	SCALE 1:5 (A3)
			SHEET 1 OF 1 SHEETS