

SVENDBORG BRAKES, DENMARK
 CVR / VAT: 13256438
 WWW.SVENDBORG-BRAKES.COM
 THIS DRAWING/DRAWING REMAINS THE PROPERTY OF SVENDBORG BRAKES AND MUST NOT BE COPIED WITHOUT OUR PRIOR WRITTEN PERMISSION. AND THE CONTENTS THEREOF MUST NOT BE DISCLOSED TO ANY THIRD PARTY. NOR BE USED FOR ANY UNAUTHORIZED PURPOSE. LEGAL ACTION WILL BE TAKEN IN THE EVENT OF CONTRAVENTION.

REV. K 101204 CLC 28.04.2020
 REV. L 101436 SFR 17.09.2020
 REV. M 102885 RMJ 28.08.2023

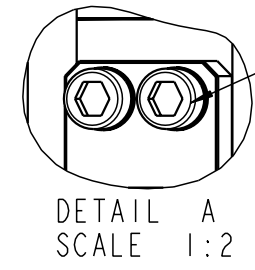
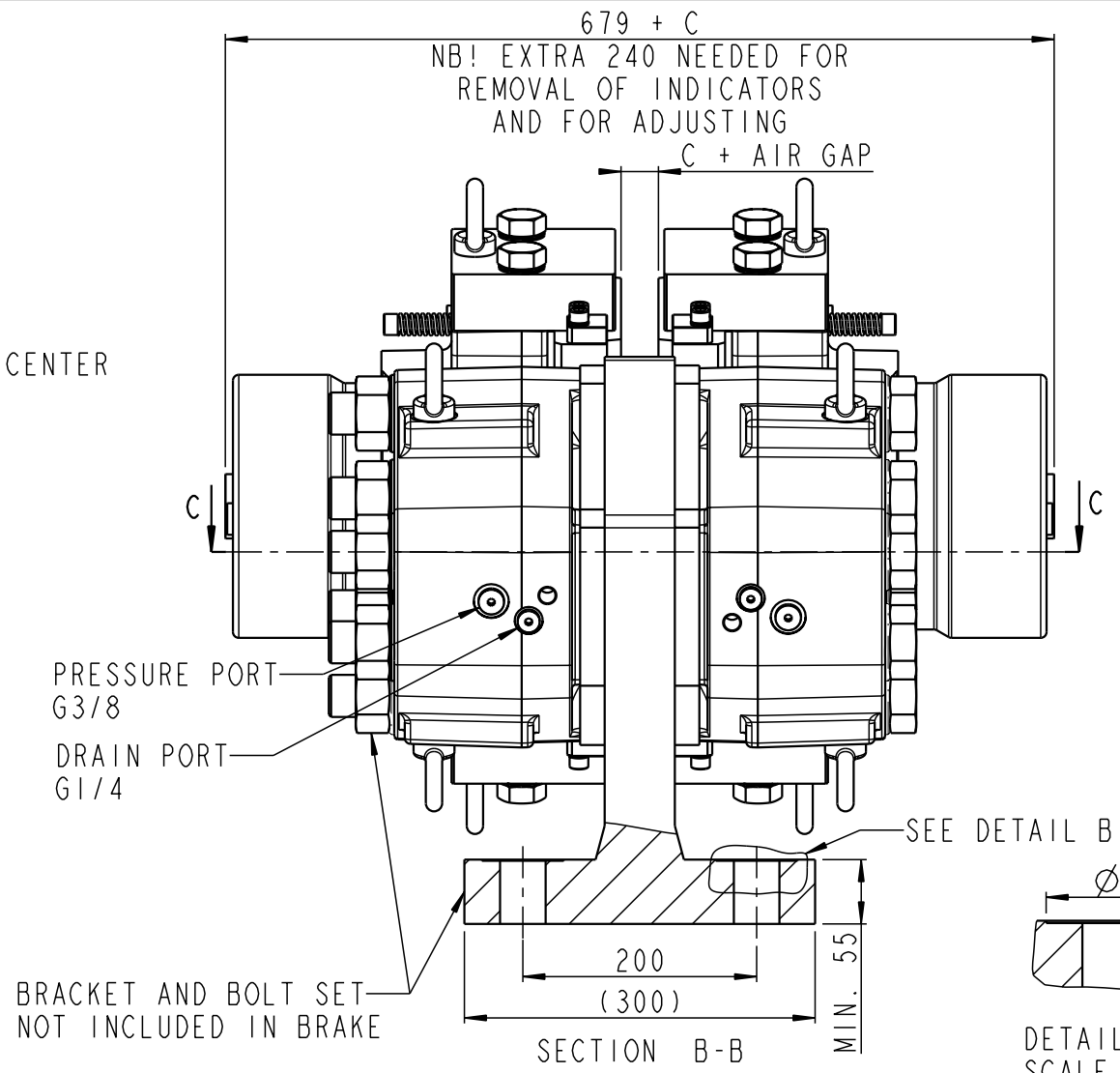
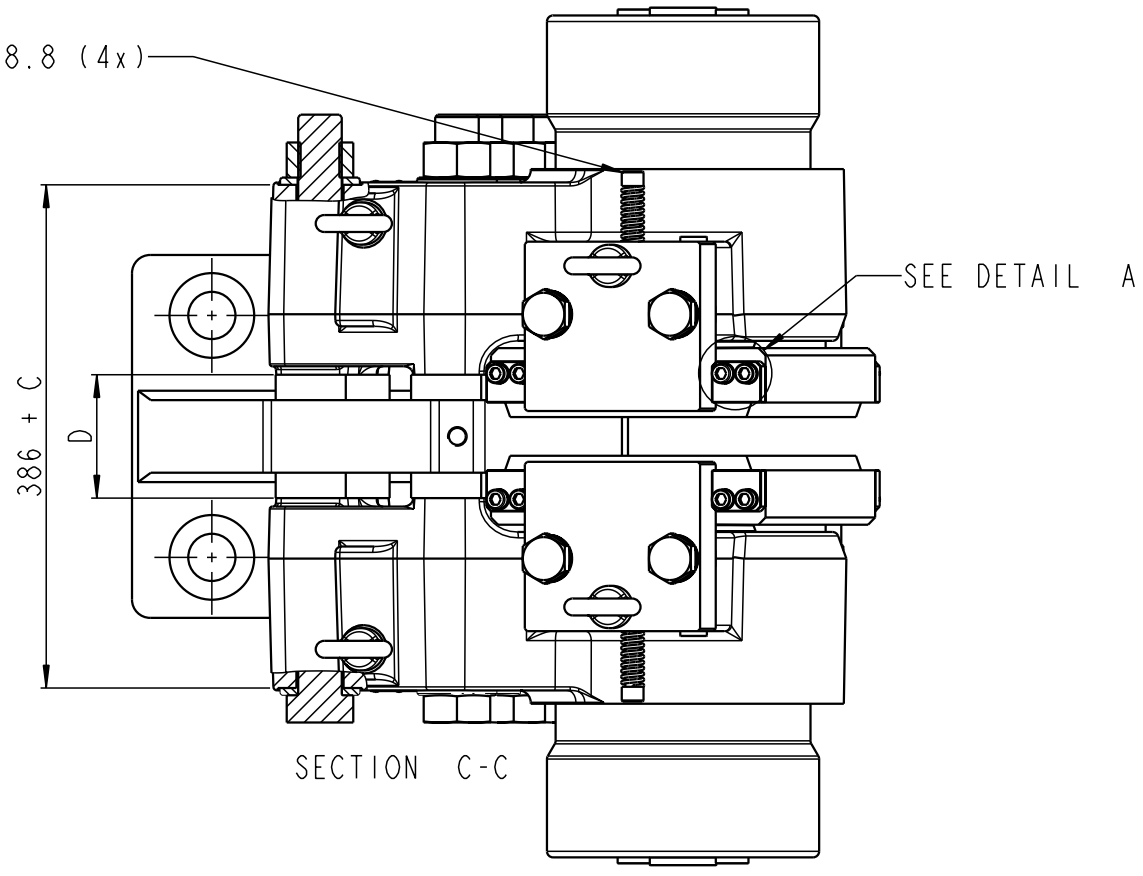
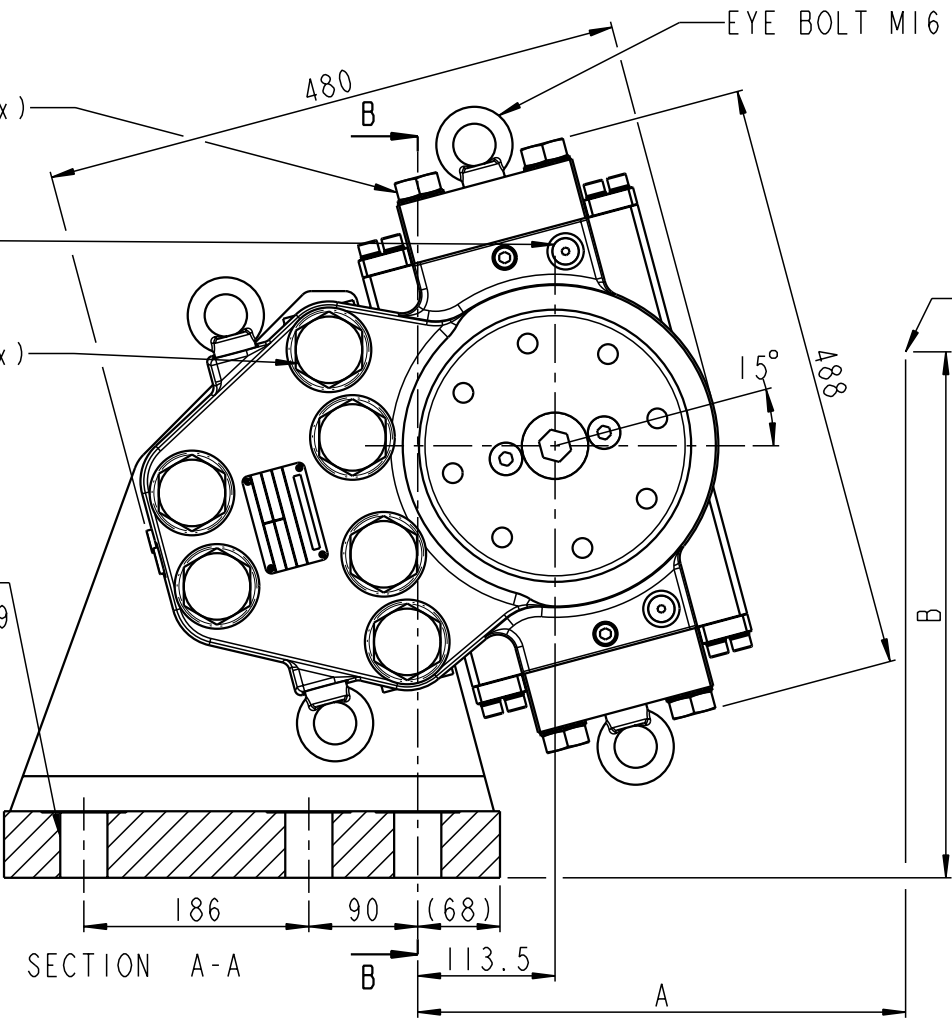
BOLTS M24 CLASS 10.9 (8x)
 $M_v = 740 \pm 30 \text{ Nm}$
 WITH MoS2

PRESSURE PORT
 G3/8

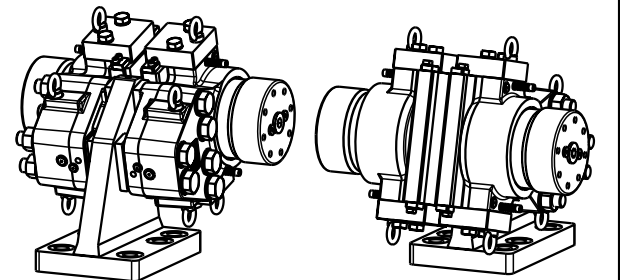
BOLTS M36 CLASS 10.9 (6x)
 $M_v = 2560 \pm 150 \text{ Nm}$
 WITH MoS2

$\varnothing 39$ HOLES (6x)
 FOR BOLTS M36 CLASS 10.9
 $M_v = 2560 \pm 150 \text{ Nm}$
 WITH MoS2
 (BOLTS NOT INCLUDED)

BOLTS M12 CLASS 8.8 (4x)
 $M_v = 52 \pm 6 \text{ Nm}$
 DRY



BOLTS M10 CLASS 8.8
 FOR PAD GUIDES
 $M_v = 45 \pm 6 \text{ Nm}$
 DRY



DISTANCE FROM CENTER OF DISC (R= RADIUS OF DISC)
 $A = 0.966(R-115) + 114$
 $B = 0.259(R-115) + 357$
 $C = \text{DISC THICKNESS}$
 $D = \text{MOUNTING SURFACE WIDTH} = C + 72$
 BRACKET DIMENSIONS BASED ON BRACKET 490-3662-002 (C MIN. = 30MM)
 MOUNTING DATA, SEE DRAWING 490-3633
 WEIGHT: APPROX. 389 KG INCL. BRAKE PADS (EXCL. BRACKET AND BOLTS)

TOLERANCES FOR INTERNAL AND EXTERNAL RADII, ANGLES AND CHAMFERS ACCORDING TO:		ALL DIMENSIONS IN mm	DRAWING STATUS
ISO 2768 - mK		DESCRIPTION	Released
DRAWN BY R.R.Hansen DATE 27.04.2006		BSFK 500-S-100	
		DRAWING NO.	REVISION M
		490-3514	SCALE 4:25 (A3)
			SHEET 1 OF 1 SHEETS

SVENDBORG BRAKES RESERVES THE RIGHT TO REVISE THIS DOCUMENT WITHOUT PRIOR NOTIFICATION OR OBLIGATION

RELEASED
 by randa.juma